

REF. INSTRUCTION SHEET NO.:  
80-0180-359

TEMPLATE NO.:

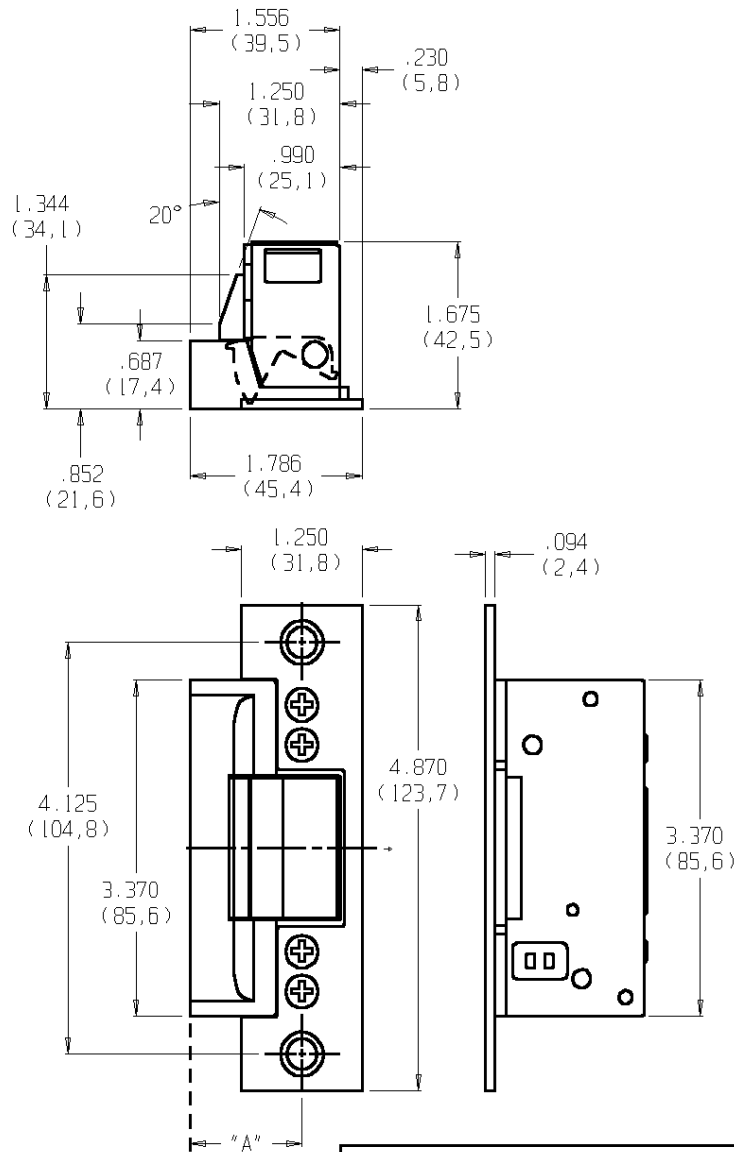
52090-0

DATE:  
09-13-95

ADAMS RITE MANUFACTURING COMPANY  
POMONA, CA. 91767

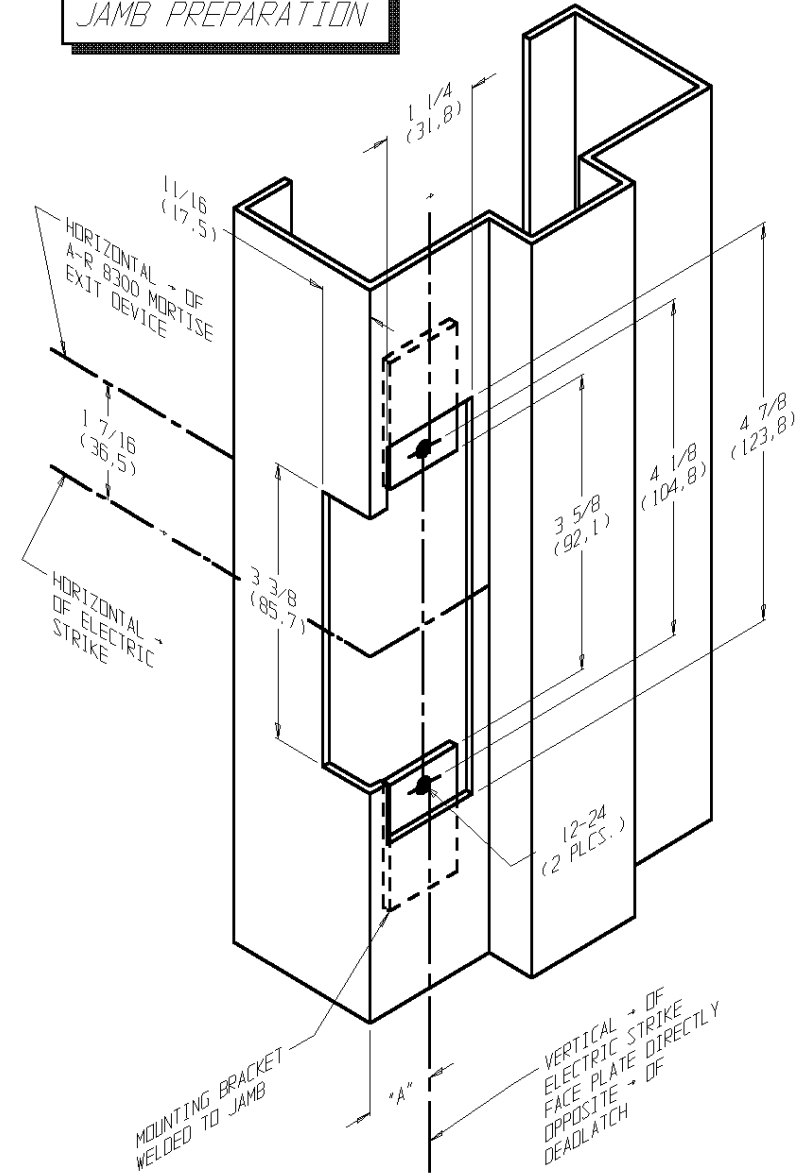
7128 ELECTRIC STRIKE  
FOR METAL JAMB WITH  
8300 MORTISE EXIT

**ELECTRIC STRIKE DIMENSIONS**



STANDARD UNIT FITS DIM. "A"  
UP TO 1 1/16" (SEE DASH NO.)

**JAMB PREPARATION**



FOR EXTENDED LIP: (DIM "A" DOOR → TO JAMB EDGE)

DASH NO.	DIM "A"	DASH NO.	DIM "A"	DASH NO.	DIM "A"
NONE	1.06	-05	2.00	-10	2.63
-01	1.50	-06	2.13	-11	2.75
-02	1.63	-07	2.25	-12	2.88
-03	1.75	-08	2.38	-13	3.00
-04	1.88	-09	2.50		

NOTE: WHEN DOOR SILENCERS  
ARE USED ON FRAME,  
ADJUST STRIKE  
LOCATION TO ENSURE  
COMMON LATCH AND  
STRIKE CENTERLINES.

REF. INSTRUCTION SHEET NO.:  
80-0180-358

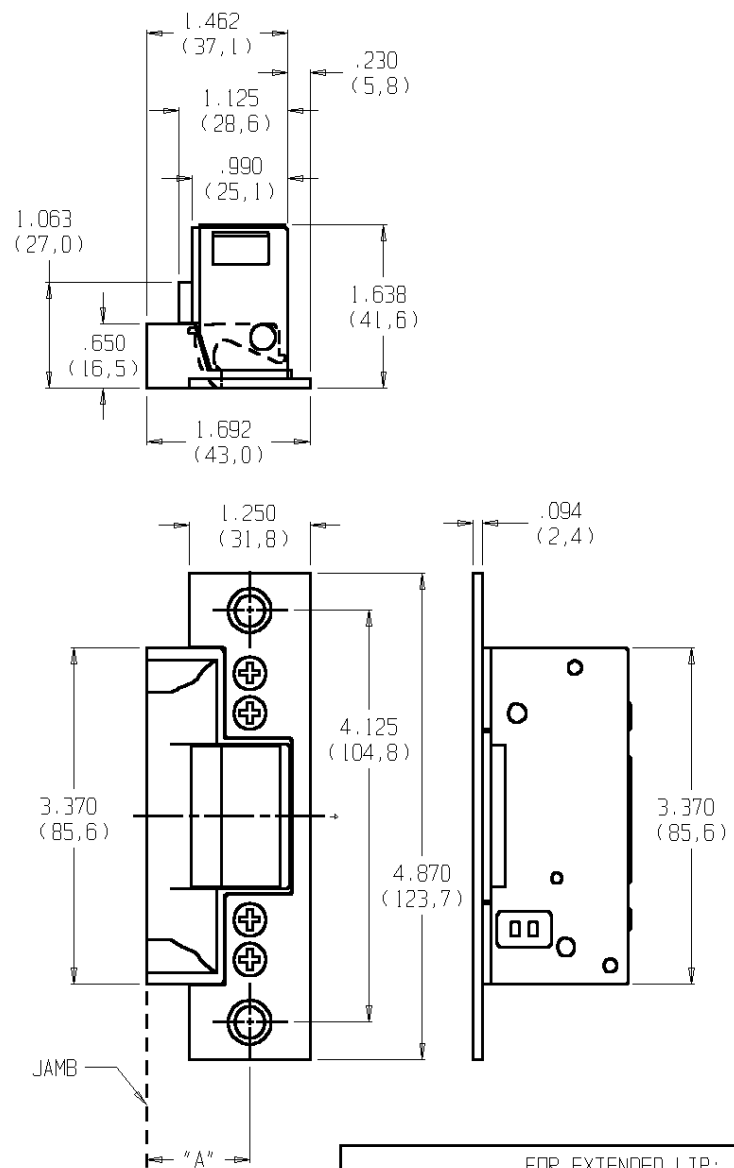
ADAMS RITE MANUFACTURING COMPANY  
POMONA, CA. 91767

TEMPLATE NO.:  
52050-0

DATE:  
09-13-95

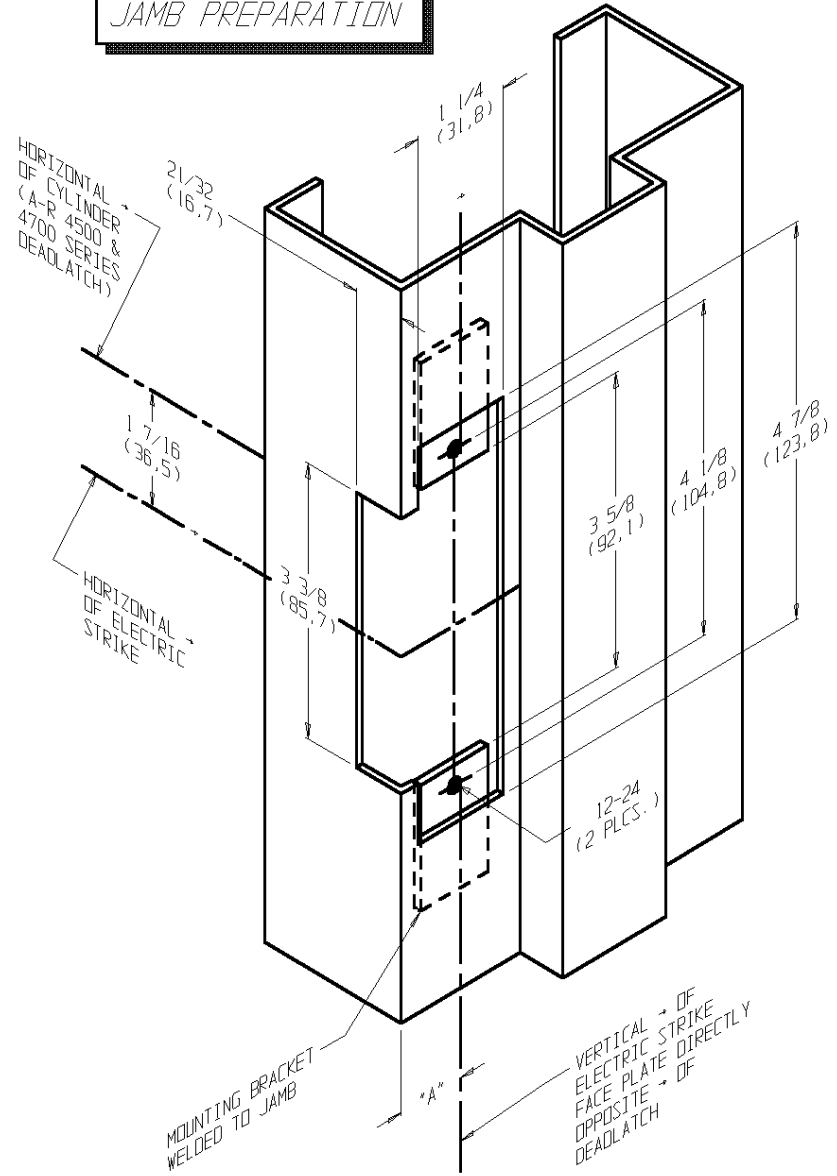
7140 ELECTRIC STRIKE  
FOR METAL JAMB WITH  
A-R 4500/4700 DEADLATCHES

**ELECTRIC STRIKE DIMENSIONS**



STANDARD UNIT FITS DIM. "A"  
UP TO 1 1/16" (SEE DASH NO.)

**JAMB PREPARATION**



FOR EXTENDED LIP: (DIM "A" DOOR → TO JAMB EDGE)

DASH NO.	DIM "A"	DASH NO.	DIM "A"	DASH NO.	DIM "A"
NONE	1.06	-05	2.00	-10	2.63
-01	1.50	-06	2.13	-11	2.75
-02	1.63	-07	2.25	-12	2.88
-03	1.75	-08	2.38	-13	3.00
-04	1.88	-09	2.50		

NOTE: WHEN DOOR SILENCERS  
ARE USED ON FRAME,  
ADJUST STRIKE  
LOCATION TO ENSURE  
COMMON LATCH AND  
STRIKE CENTERLINES.

REF. INSTRUCTION SHEET NO.:  
80-0180-363

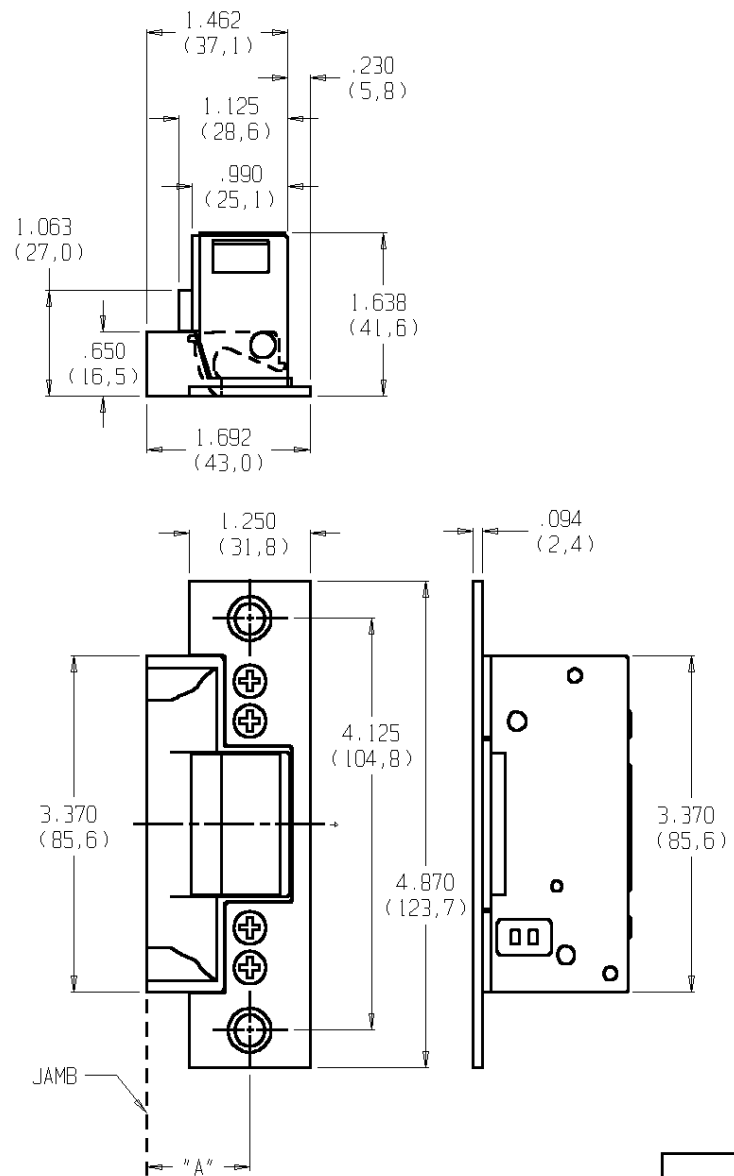
TEMPLATE NO.:  
52110-1

DATE:  
07-09-97

ADAMS RITE MANUFACTURING COMPANY  
POMONA, CA. 91767

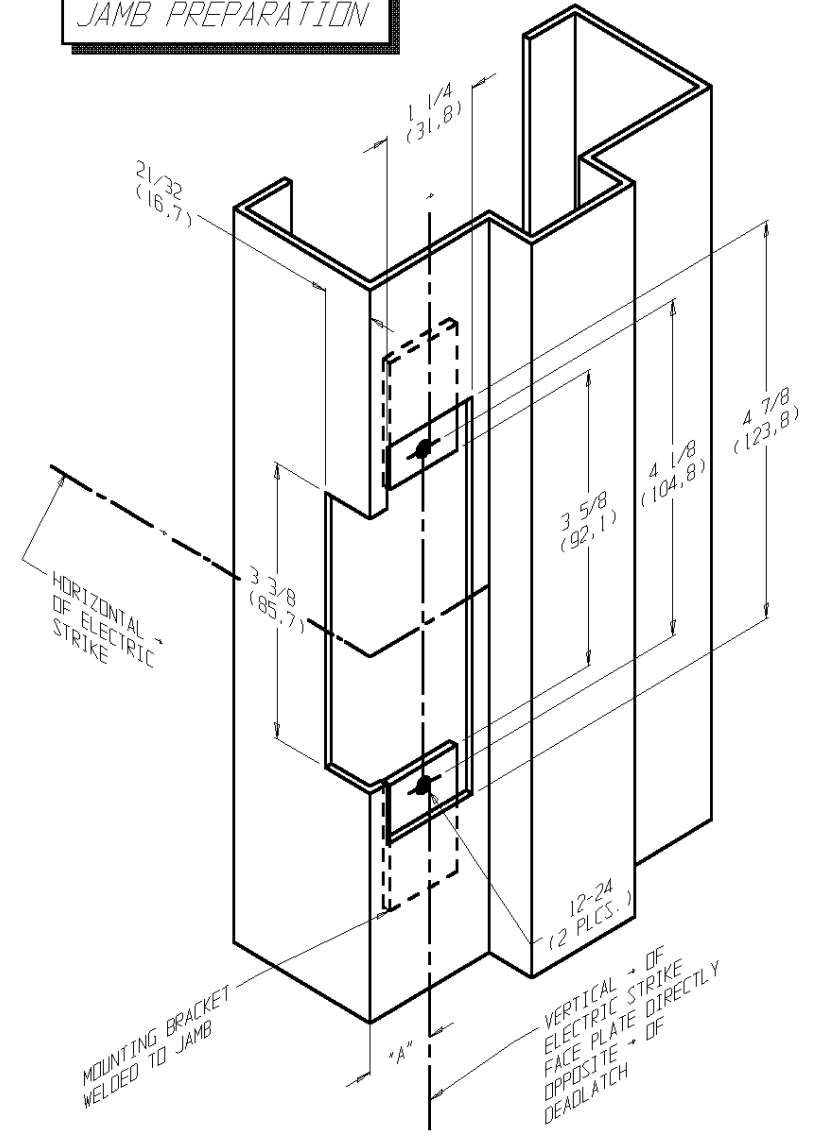
7140/7240 ELECTRIC STRIKE  
FOR METAL JAMB WITH  
KEY-IN-KNOB LATCHES

**ELECTRIC STRIKE DIMENSIONS**



- NOTE:
1. WHEN DOOR SILENCER ARE USED ON FRAME, ADJUST STRIKE LOCATION TO ENSURE COMMON LATCH AND STRIKE CENTERLINES.
  2. STANDARD UNIT FITS DIM. "A" UP TO 1 1/16" (SEE DASH NO.)
  3. 7240-LJ-10B, 3HRS - FAIL SECURE ONLY

**JAMB PREPARATION**



FOR EXTENDED LIP: (DIM "A" DOOR → TO JAMB EDGE)

DASH NO.	DIM "A"	DASH NO.	DIM "A"	DASH NO.	DIM "A"
NONE	1.06	-05	2.00	-10	2.63
-01	1.50	-06	2.13	-11	2.75
-02	1.63	-07	2.25	-12	2.88
-03	1.75	-08	2.38	-13	3.00
-04	1.88	-09	2.50		

REF. INSTRUCTION SHEET NO.:  
80-0180-358

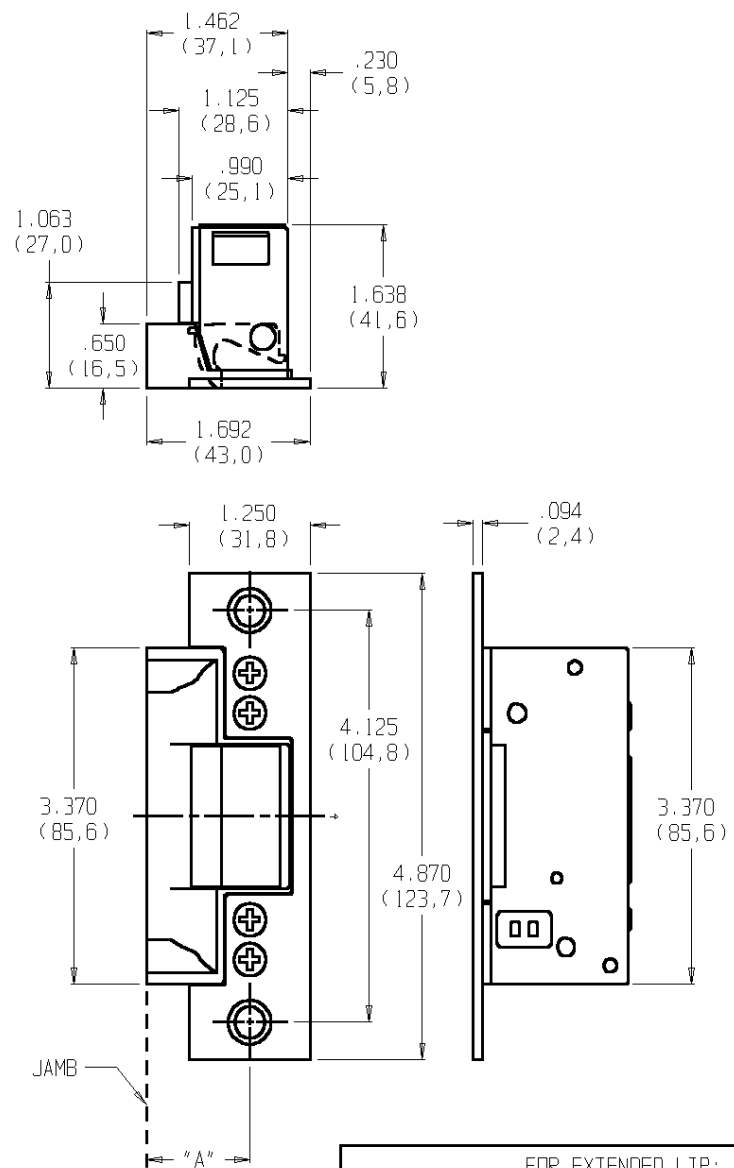
ADAMS RITE MANUFACTURING COMPANY  
POMONA, CA. 91767

TEMPLATE NO.:  
52050-0

DATE:  
09-13-95

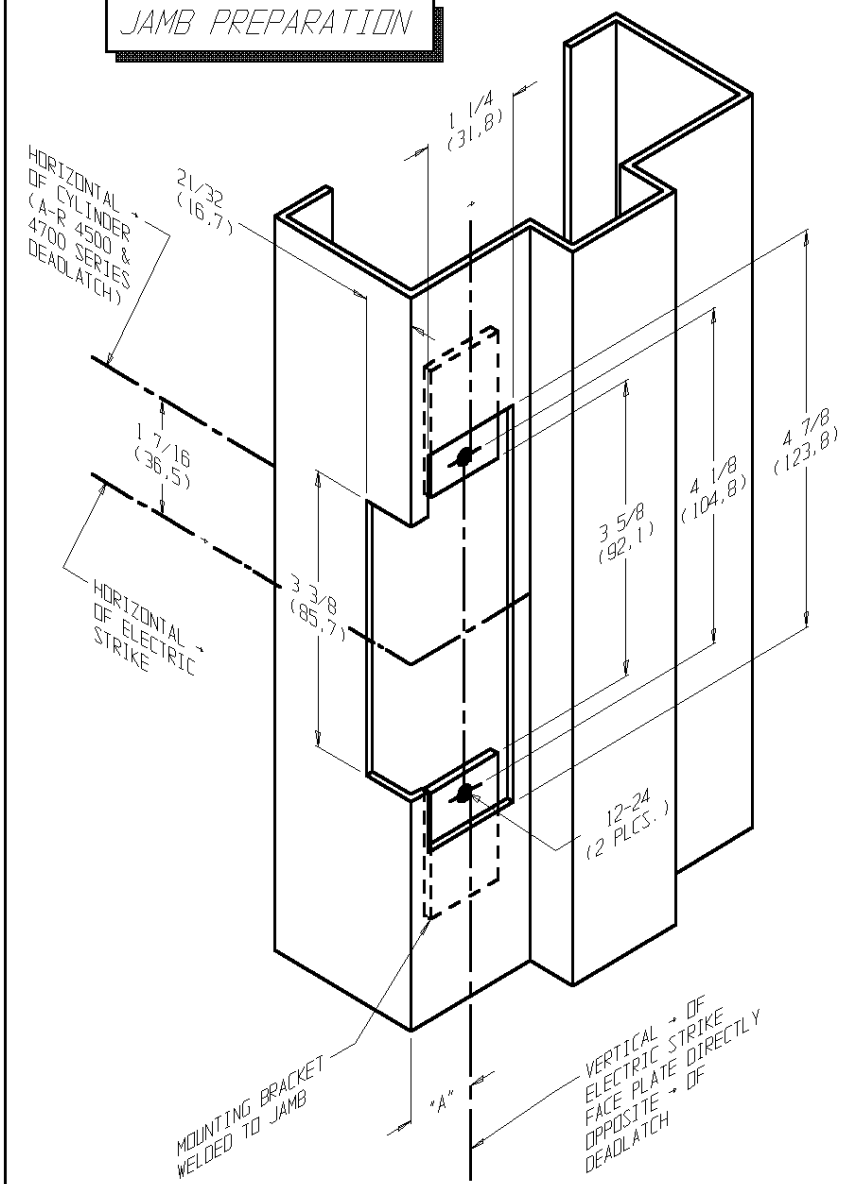
7140 ELECTRIC STRIKE  
FOR METAL JAMB WITH  
A-R 4500/4700 DEADLATCHES

**ELECTRIC STRIKE DIMENSIONS**



STANDARD UNIT FITS DIM. "A"  
UP TO 1 1/16" (SEE DASH NO.)

**JAMB PREPARATION**



FOR EXTENDED LIP: (DIM "A" DOOR → TO JAMB EDGE)

DASH NO.	DIM "A"	DASH NO.	DIM "A"	DASH NO.	DIM "A"
NONE	1.06	-05	2.00	-10	2.63
-01	1.50	-06	2.13	-11	2.75
-02	1.63	-07	2.25	-12	2.88
-03	1.75	-08	2.38	-13	3.00
-04	1.88	-09	2.50		

NOTE: WHEN DOOR SILENCERS  
ARE USED ON FRAME,  
ADJUST STRIKE  
LOCATION TO ENSURE  
COMMON LATCH AND  
STRIKE CENTERLINES.

REF. INSTRUCTION SHEET NO.:  
80-0180-363

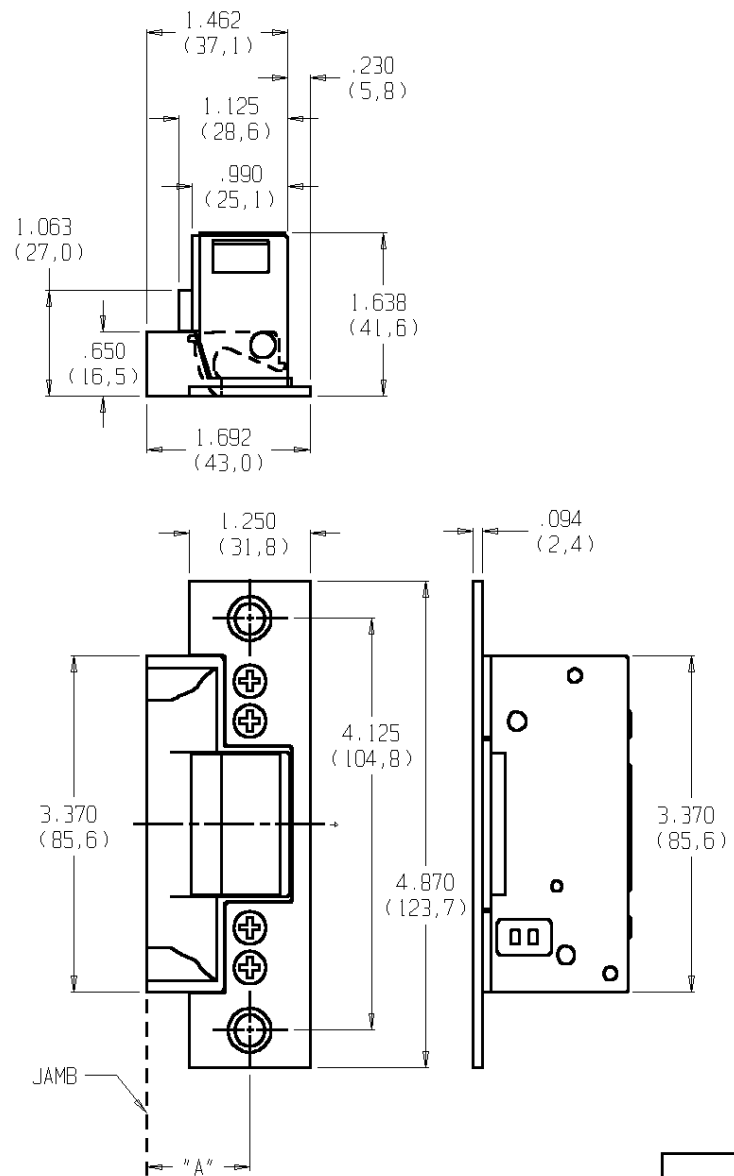
TEMPLATE NO.:  
52110-1

DATE:  
07-09-97

ADAMS RITE MANUFACTURING COMPANY  
POMONA, CA. 91767

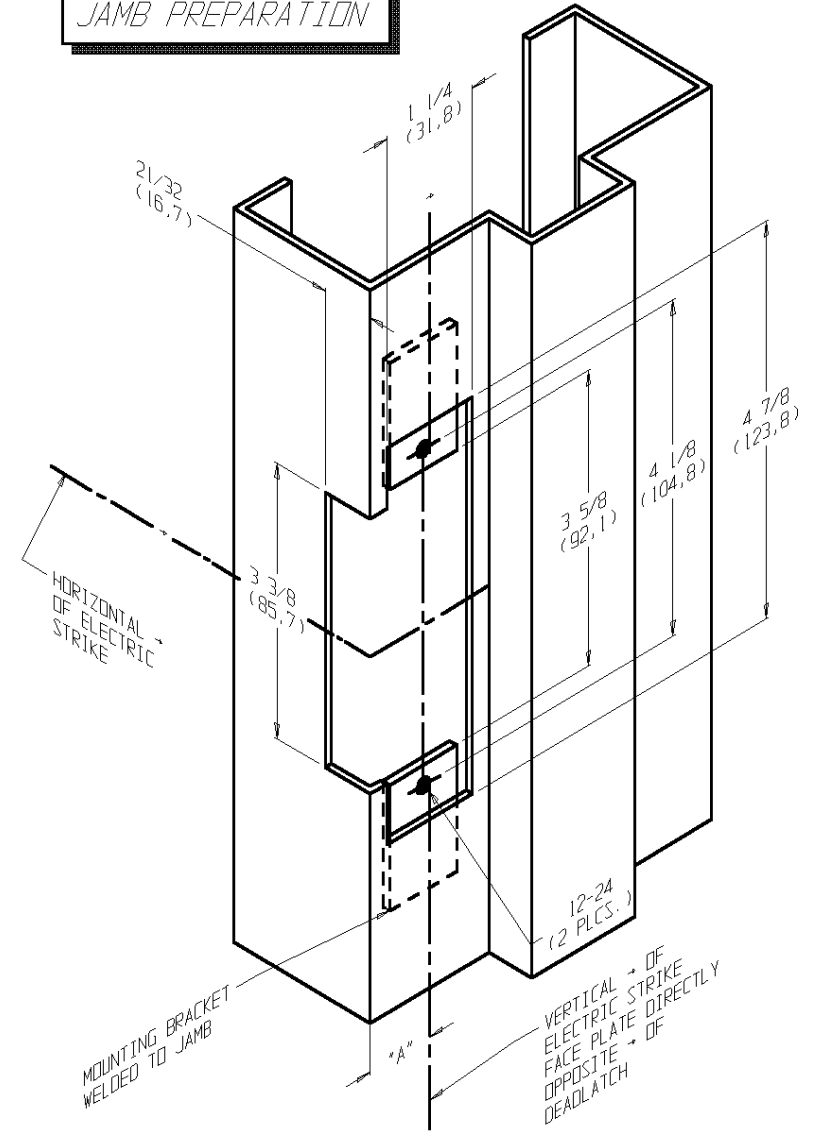
7140/7240 ELECTRIC STRIKE  
FOR METAL JAMB WITH  
KEY-IN-KNOB LATCHES

**ELECTRIC STRIKE DIMENSIONS**



- NOTE:
1. WHEN DOOR SILENCER ARE USED ON FRAME, ADJUST STRIKE LOCATION TO ENSURE COMMON LATCH AND STRIKE CENTERLINES.
  2. STANDARD UNIT FITS DIM. "A" UP TO 1 1/16" (SEE DASH NO.)
  3. 7240-LL-10B, 3HRS - FAIL SECURE ONLY

**JAMB PREPARATION**



FOR EXTENDED LIP: (DIM "A" DOOR → TO JAMB EDGE)

DASH NO.	DIM "A"	DASH NO.	DIM "A"	DASH NO.	DIM "A"
NONE	1.06	-05	2.00	-10	2.63
-01	1.50	-06	2.13	-11	2.75
-02	1.63	-07	2.25	-12	2.88
-03	1.75	-08	2.38	-13	3.00
-04	1.88	-09	2.50		

PART NO.: 7900T

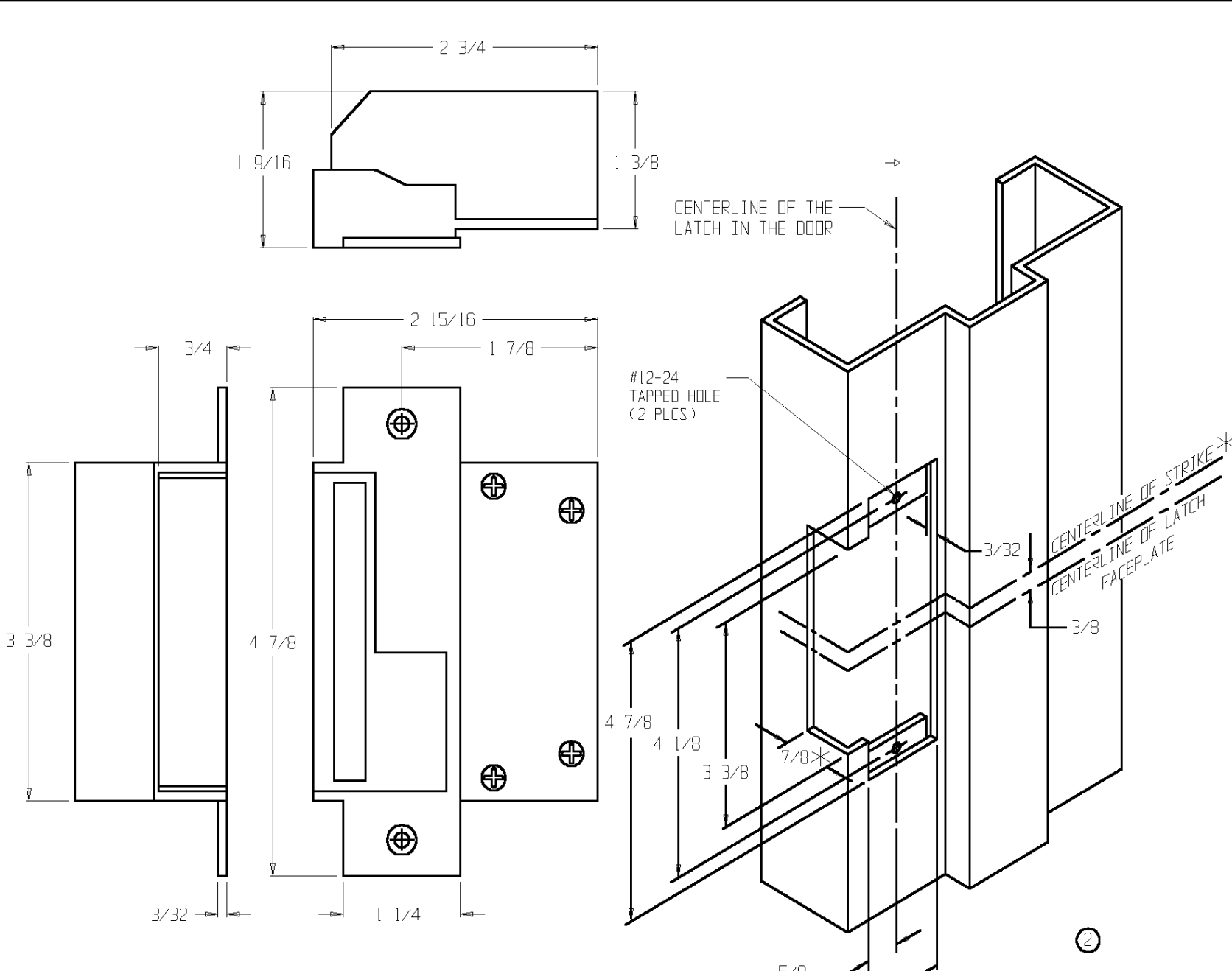
ECN NO.: 9629

TEMPLATE NO.: 50160-2

DATE: 06-25-97

ADAMS RITE MANUFACTURING COMPANY  
POMONA, CA. 91767

7900 ELECTRIC STRIKE  
METAL JAMB PREPARATION



NOTE: WHEN DOOR SILENCERS ARE USED ON FRAME, ADJUST STRIKE LOCATION TO ENSURE COMMON LATCH AND STRIKE CENTERLINE.

\*  $\frac{7}{8}$  DIMENSION IS THE ONLY VARIANCE FROM ANSI

\* FOR BORED LATCHES, STRIKE AND LATCH CENTERLINES ARE THE SAME. USE 7901 OR 7931 STRIKE MODELS

②