

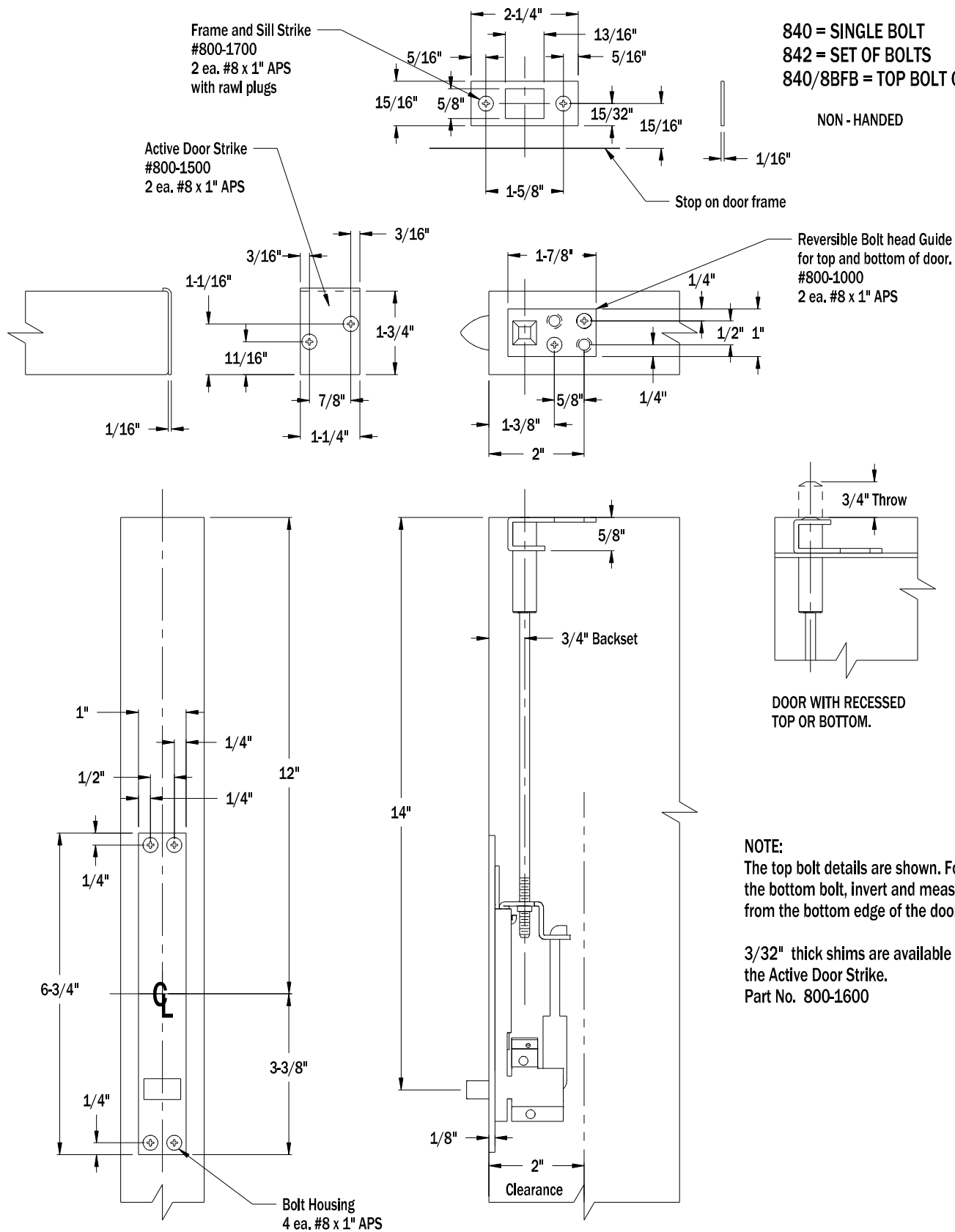
NO. 840 SERIES AUTOMATIC FLUSHBOLTS FOR METAL DOORS PREP ANSI 115.4-1993

TEMPLATE APPLIES TO

ITEM NOS. 840, 842, 840/8BFB

840 = SINGLE BOLT
842 = SET OF BOLTS
840/8BFB = TOP BOLT ONLY

NON - HANDED



NOTE:
The top bolt details are shown. For the bottom bolt, invert and measure from the bottom edge of the door.

3/32" thick shims are available for the Active Door Strike.
Part No. 800-1600



**DOOR CONTROLS
INTERNATIONAL™**
2362 BISHOP CIRCLE EAST
DEXTER, MI 48130 U.S.A.

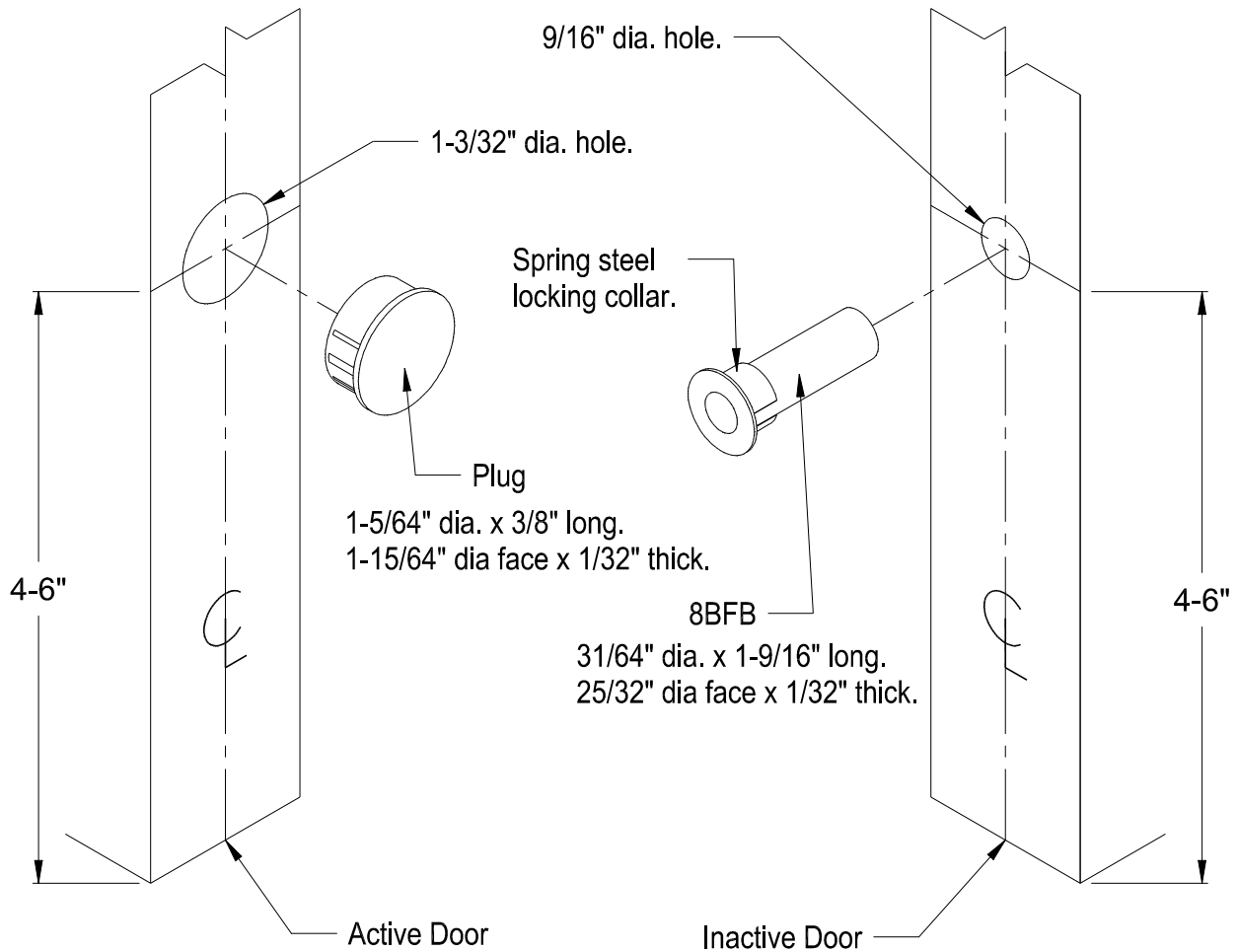
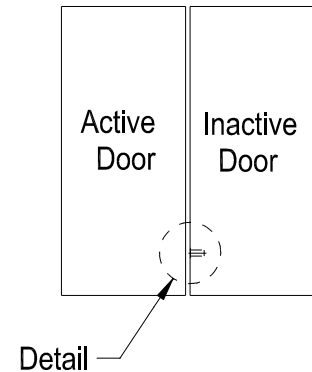
Installation Instructions

Inactive Door

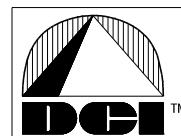
1. Measure 4"- 6" from bottom of the Inactive Door.
2. Drill a 9/16" dia. hole x 1-5/8" deep for 8BFB.
3. Install 8BFB by striking squarely with a hammer.

Active Door

1. Drill a 1-3/32" dia. hole x 7/8" deep for Plug at the same height as the 8BFB.
2. Install plug in door by striking with a hammer.



IMPORTANT: The 8BFB will project during a fire.
Do not cover with any edge mounted door hardware.



DOOR CONTROLS
INTERNATIONAL™
2362 BISHOP CIRCLE EAST
DEXTER, MI 48130 U.S.A.