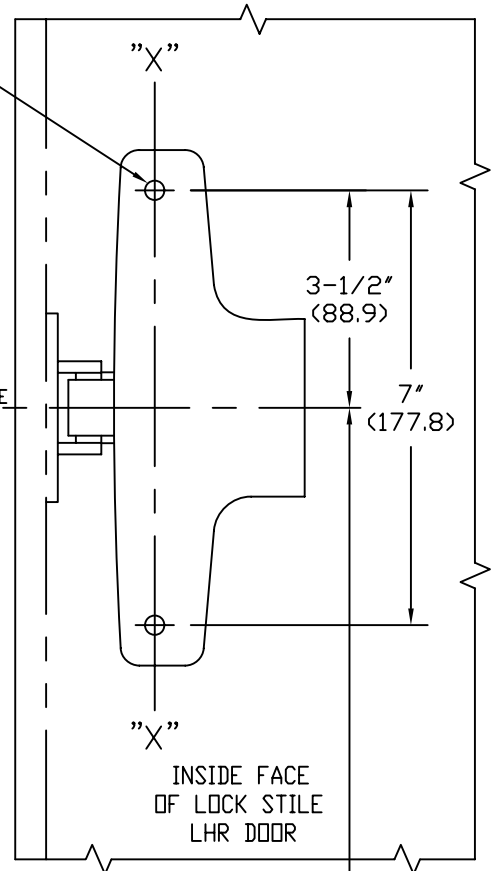


DRILL AND TAP 1/4-20 THREADS THRU THIS SIDE OF DOOR ONLY

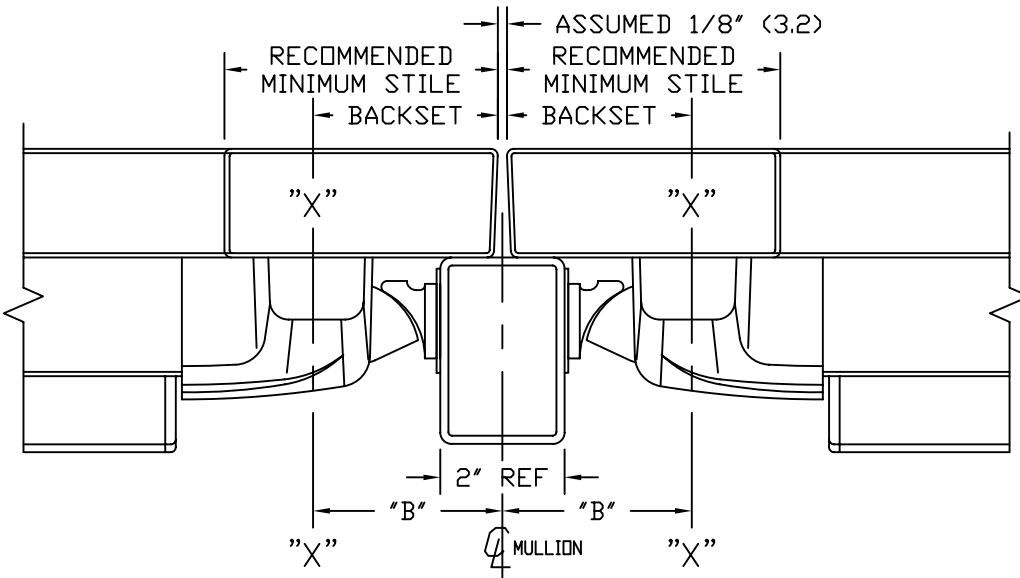


SINGLE DOOR INSTALLATION				
STRIKE	DIM. "B"	BACKSET	RECOMMENDED MINIMUM STILE	
99	1-3/4" (44.5)	2-1/4" (57.2)	2-1/2" (63.5)	SHOWN
98	1-1/4" (31.8)	1-3/4" (44.5)	2" (50.8)	NOT SHOWN *

- NOTES:
1. DIMENSIONS SHOWN IN INCHES AND (mm)
  2. ASSUME A 5/8" STOP
  - \*3. FOR ALUMINUM DOORS WITH NO BLADE STOP, USE TEMPLATE T1010.

(LHR SHOWN RHR OPPOSITE)

40" (1016) HEIGHT (RECOMMENDED)  
37" (940) MIN. HEIGHT TO FINISHED FLOOR



DOUBLE DOOR INSTALLATION WITH MULLION					
MULLION	STRIKE	DIM. "B"	BACKSET	RECOMMENDED MINIMUM STILE	
90KR & F90KR**	99	2-3/4" (69.9)	2-11/16" (68.3)	2-15/16" (74.6)	SHOWN
90KR & F90KR**	98	2-1/4" (57.1)	2-3/16" (55.6)	2-7/16" (61.9)	NOT SHOWN

\*\*STRIKE HOOK HOLE LOCATION SHOULD BE FIELD PREPARED

HDG. \_\_\_\_\_ DR. \_\_\_\_\_

**RESPONSIBILITY**  
Door and Frame Manufacturers are responsible for providing adequate construction or reinforcements for proper installation of hardware shown. All architectural builders hardware must be installed on properly reinforced doors and frames regardless of the type, material or method of construction.

TEMPLATE  
METAL/ALUMINUM DOOR  
4001 & F4001 SERIES  
V4001 & FV4001 SERIES  
RIM EXIT DEVICE  
BP-2 or BP-8 MOUNTING PLATE

**DETEX**  
CORPORATION

DO NOT SCALE DRAWING

DATE 6/21/05 TEMPLATE NUMBER T1002