

**LHR SHOWN; RHR OPPOSITE**

INSTALLATION	BACKSET	
	1-3/4" MIN. STILE	3-1/2" STILE TO FLUSH DOOR
VERTICAL ROD DEVICE(S)	1-5/16"	2-1/4"
VERTICAL ROD OVER 161 PREP.	—	2-1/8"
VERTICAL ROD x RIM DEVICE (USING 571 STRIKE)	—	2-3/16"
VERTICAL ROD x RIM DEVICE (USING 571-A STRIKE)	—	1-11/16"

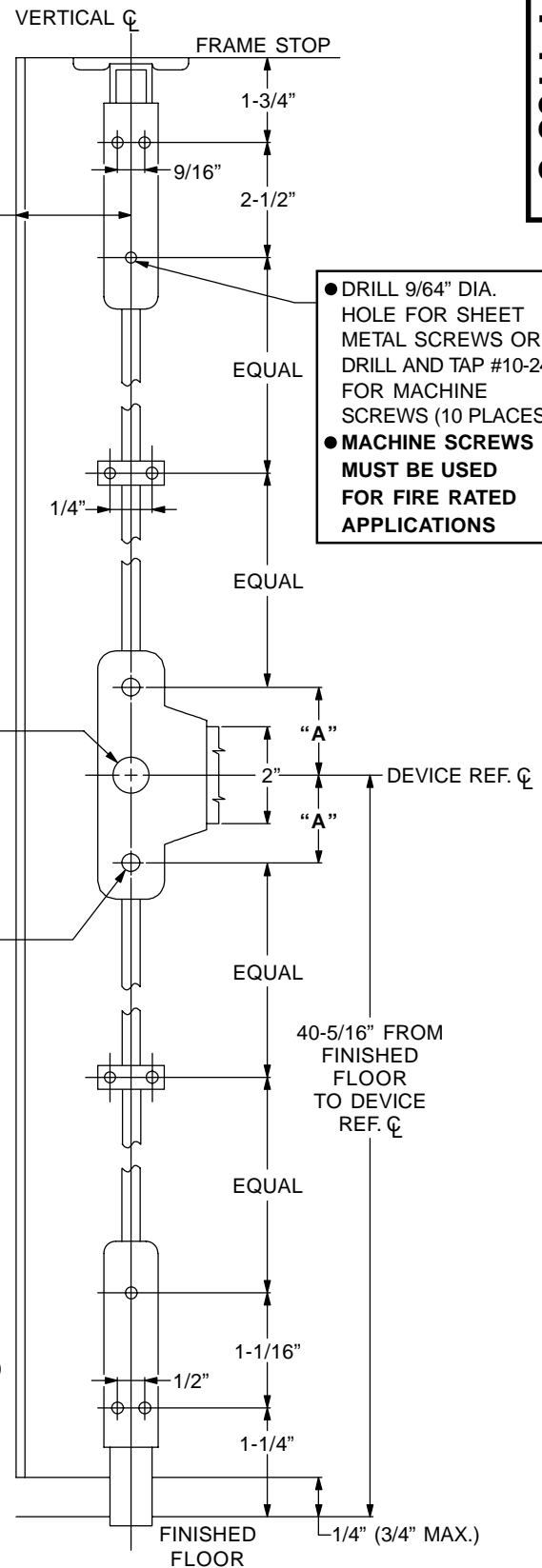
**NOTE:** 571 AND 571-A STRIKES ARE NOT APPROVED FOR FIRE RATED APPLICATIONS.

- FOR DEVICE WITH TRIM, REFER TO TRIM TEMPLATE FOR DOOR PREPARATION
- FOR EXIT ONLY DEVICE, DRILL 9/32" DIA. HOLE THRU THEN DRILL 3/8" DIA. HOLE ONLY ON OPPOSITE SIDE OF DOOR FOR SEX BOLTS (2 PLACES)

DRILL 5/8" DIA. HOLE DEVICE SIDE ONLY

APPLICATION	"A"
19-V x KIL TRIM	2-1/4"
19-V x KIK TRIM	2-1/4"
19-V x CENTRON TRIM	2-1/4"
19-V x EXIT ONLY	1-3/4"
19-V x CONTROL TRIM	1-3/4"

- FOR APPLICATIONS OVER 8 FT., INSTALL TWO ROD GUIDES EQUALLY SPACED ON TOP ROD.
- FOR FIRE RATED LESS BOTTOM ROD (LBR) APPLICATION, REFER TO TEMPLATE T-5494 FOR SPRING BOLT ASSEMBLY PREPARATION AND OMIT BOTTOM ROD PREPARATION. **8**
- LESS BOTTOM ROD (LBR) DEVICE CANNOT BE USED IN CONJUNCTION WITH RIM DEVICES.
- FOR OUTSIDE TRIM, SEE TRIM TEMPLATE FOR DOOR PREPARATION.
- FOR SEX BOLT PREPARATION, WHEN REQUIRED, SEE TEMPLATE T-4014.
- SEE MASTER SHEET #0100 FOR SUGGESTED REINFORCING.



- DRILL 9/64" DIA. HOLE FOR SHEET METAL SCREWS OR DRILL AND TAP #10-24 FOR MACHINE SCREWS (10 PLACES)
- MACHINE SCREWS MUST BE USED FOR FIRE RATED APPLICATIONS

**DO NOT SCALE**

**MONARCH**<sup>®</sup>

TECHNICAL SERVICE 800-826-5792  
FAX-ON-DEMAND 877-454-9696

TITLE:

**(F-)19 SERIES  
SURFACE VERTICAL ROD DEVICE**

DATE: 10-24-2005

TEMPLATE NUMBER - REV.

**T-1105-8**