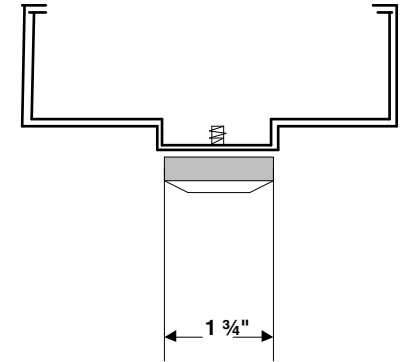
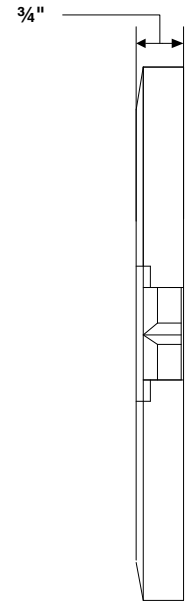
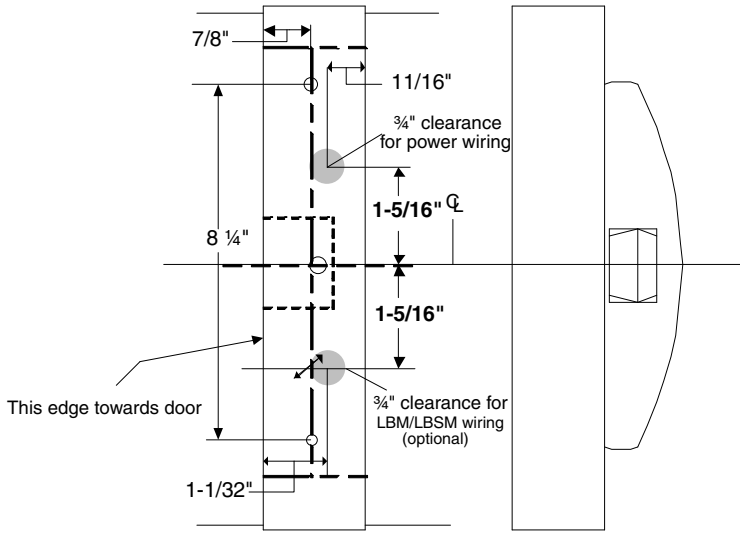
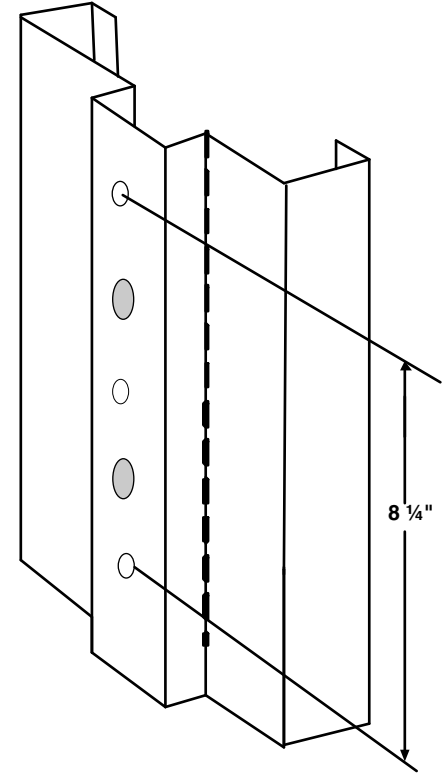
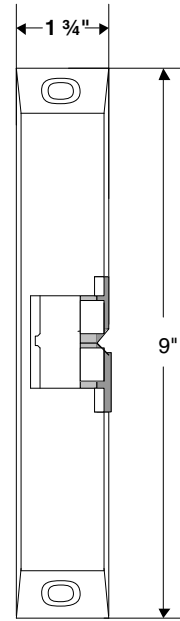
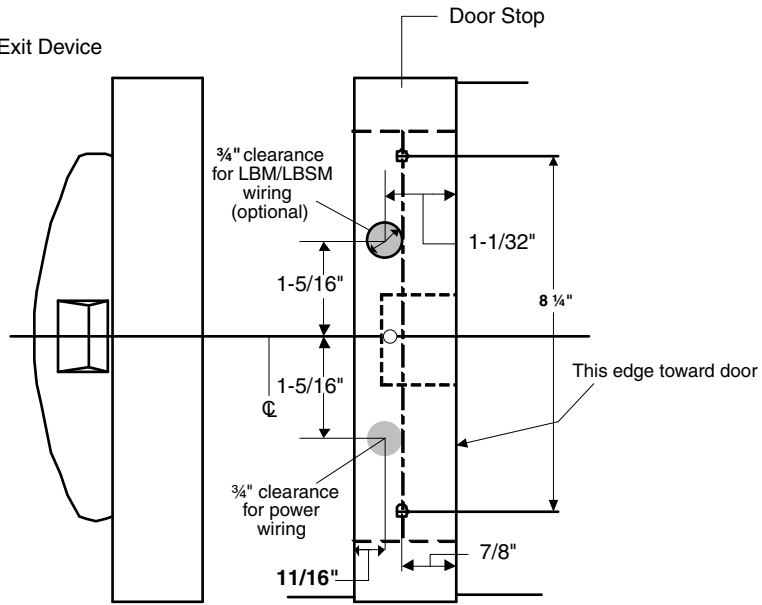


Fire Exit Device



Electric Strike: **9500**

Template Number: **1010-09500-0303**

**hes** Hanchett Entry Systems