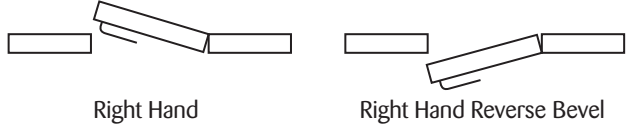


5000 CYLINDRICAL LOCK TEMPLATE

RIGHT HAND DOOR

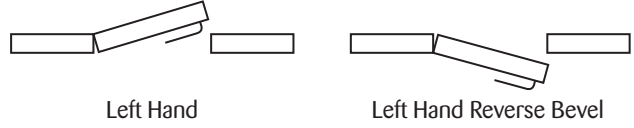
Handing: Look at the door from exterior side. Use the corresponding diagram below to determine the handing of your door.



Right Hand Right Hand Reverse Bevel

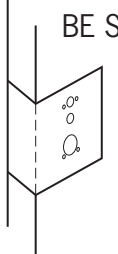
LEFT HAND DOOR

Handing: Look at the door from exterior side. Use the corresponding diagram below to determine the handing of your door.



Left Hand Left Hand Reverse Bevel

BE SURE THE FOLD IS EXACTLY ON THE EDGE OF DOOR (High Beveled Edge)

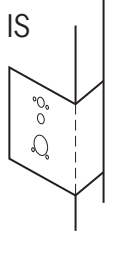


5/32" [4mm]

MARK CENTERLINE OF DOOR THICKNESS FOR 1" (25MM) DIA. LATCH HOLE

- 1 3/8" [35mm]
- 1 1/2" [38mm]
- 1 3/4" [44mm]
- 2" [51mm]
- 2 1/4" [57mm]

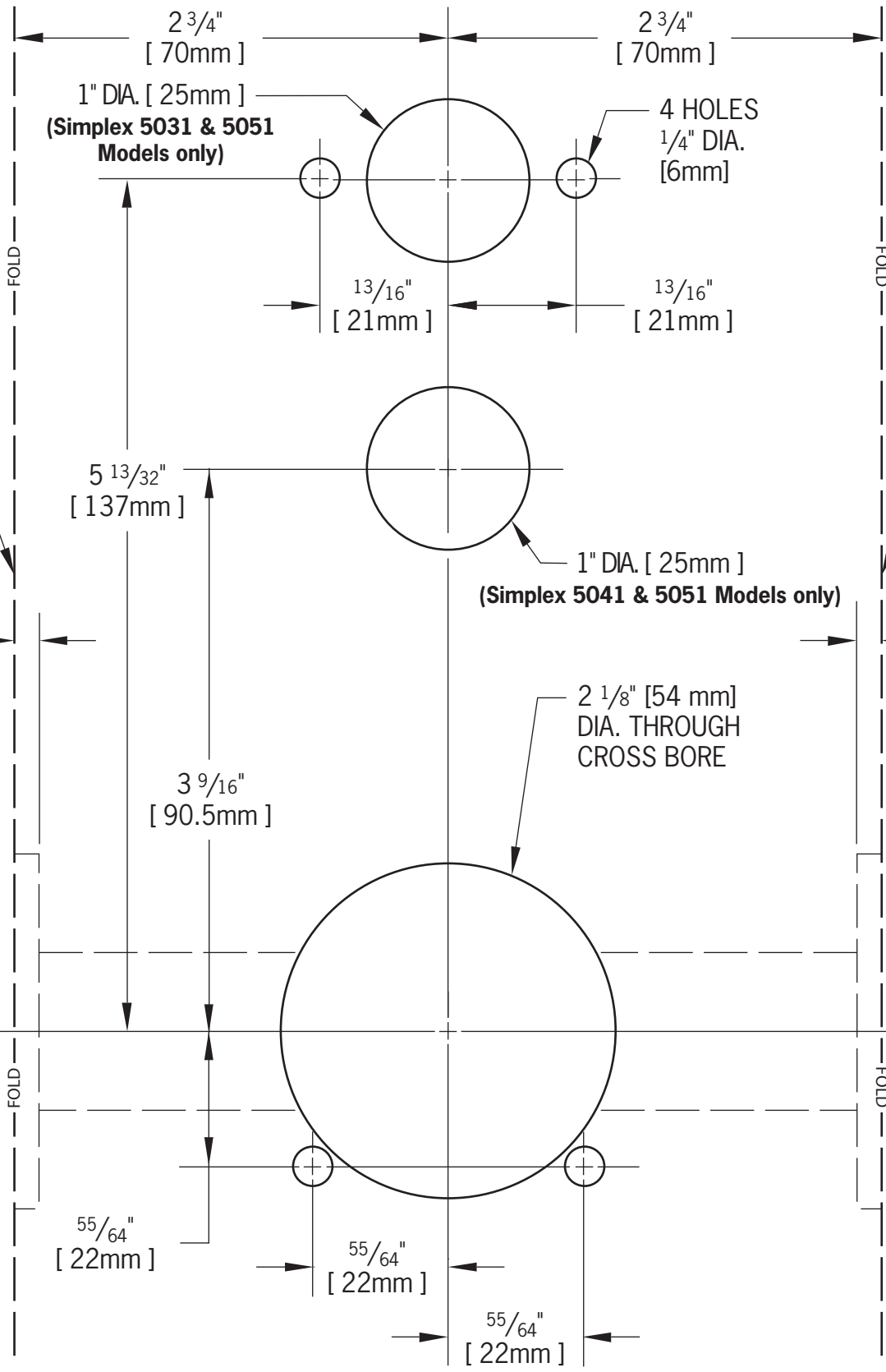
BE SURE THE FOLD IS EXACTLY ON THE EDGE OF DOOR (High Beveled Edge)



5/32" [4mm]

MARK CENTERLINE OF DOOR THICKNESS FOR 1" (25MM) DIA. LATCH HOLE

- 1 3/8" [35mm]
- 1 1/2" [38mm]
- 1 3/4" [44mm]
- 2" [51mm]
- 2 1/4" [57mm]



SIMPLEX[®] 5000 Mechanical Pushbutton Lock

E-PLEX[™] 5000 Electronic Pushbutton Lock

REFERENCE ONLY, NOT TO SCALE
DO NOT USE AS A DRILLING TEMPLATE
CONTACT CUSTOMER SUPPORT



2941 Indiana Avenue Winston-Salem, NC 27105 USA
Tel: (800) 849-8324 (336) 725-1331
Fax: (800) 346-9640 (336) 725-3269