



Price Page

Adams Rite - Electric Strikes

Vendor Site

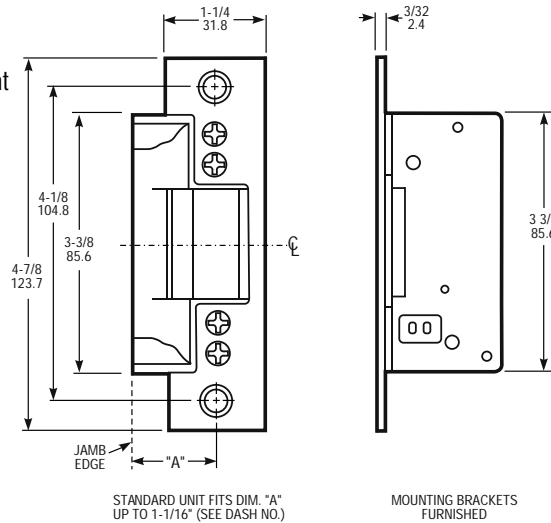
7140 - Series

FEATURES

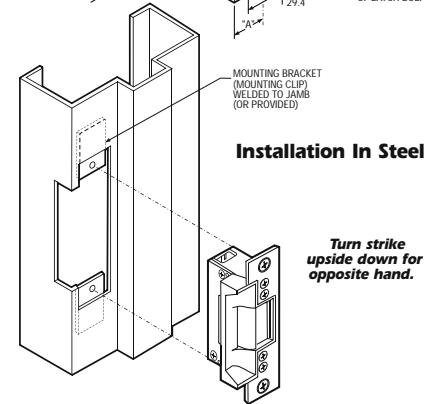
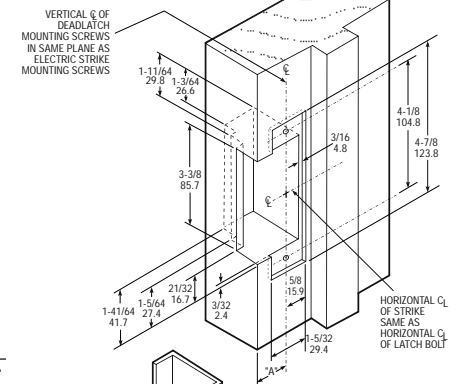
- For use with key-in lever latches
- **Lip Extension:** 1.06" from door line to jamb edge
- Faceplate measure 1-1/4" x 4-7/8"
- ANSI/BHMA E09321 Grade 1
- **Strike Opening:** 5/8" x 1-7/16" x 1/2" deep bolt retainer jaw is made of stainless steel.
- **Case:** Approximately 1" x 3-3/8" x 1-5/8" deep
- Fail secure operation
- **Voltage:** 24 VAC / 24 DC continuous
24 VAC / 24VDC intermittent

Stocked Product

- **Finishes:** Aluminum, Dark Bronze



Jamb Prep In Wood



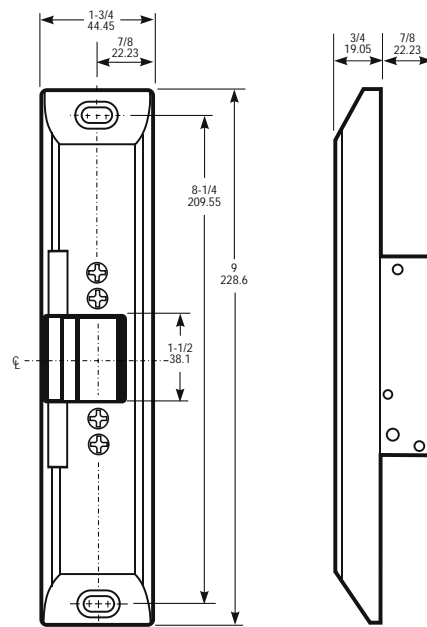
74R1 - Series

FEATURES

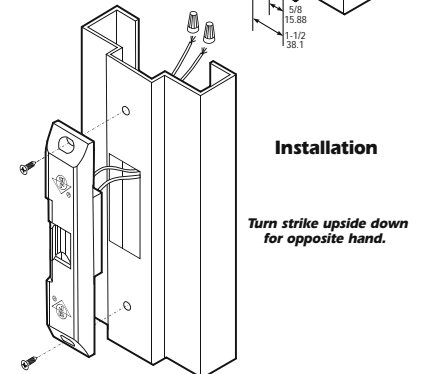
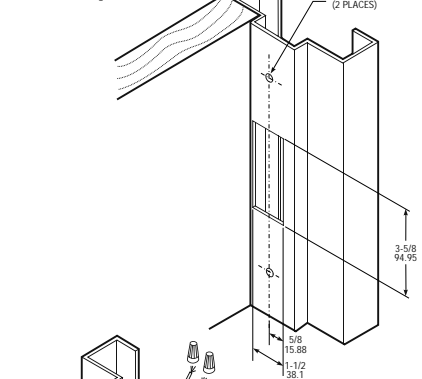
- For use with Von Duprin, Monarch, Precision and Pullman latches
- **Lip Extension:** 1.06" from door line to jamb edge
- Faceplate measure 1-3/4" x 9-3/4"
- ANSI/BHMA E09321 Grade 1
- **Strike Opening:** 5/8" x 1-7/16" x 9/16" deep bolt retainer jaw is made of stainless steel.
- **Case:** Approximately 1" x 3-3/8" x 1-5/8" deep
- Fail secure operation
- **Voltage:** 24 VAC / 12 VDC intermittent
24 VAC / 24 DC continuous

Stocked Product

- **Finishes:** Aluminum, Dark Bronze



Jamb Preparation



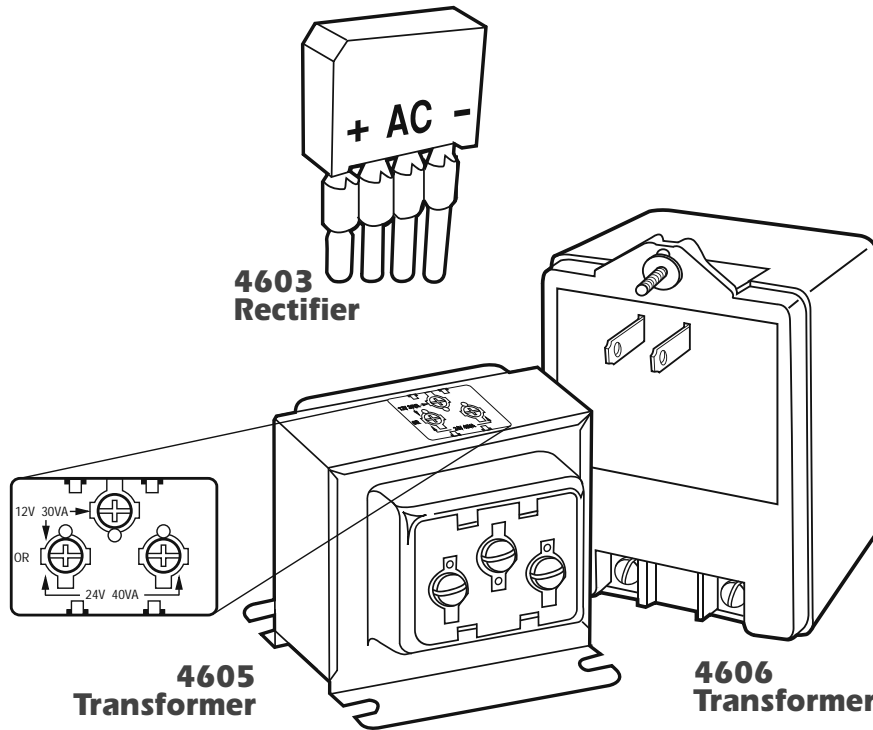


Price Page

Adams Rite - *Electric Strikes*

Vendor Site

Accessories



RECTIFIER

4603 Rectifier

Converts low voltage AC current to DC of same voltage. Installs in low voltage line between transformer and strike. Full hyphen bridge type. Rated 2 amps. (200 PIV).

AC Continuous

AC Continuous duty strikes are supplied with a 4603 Rectifier attached to the solenoid leads. These are silent operation strikes -- without the buzzing sound. They use a DC solenoid, but the externally attached full-wave bridge rectifier allows them to be connected to AC power.

TRANSFORMER

4605

Converts 120VAC to 12VAC/24VAC. Rated 40 Volt-amp output assures plenty of power for strike release.

4606

Converts 120VAC current to 24VAC. Plugs into standard wall outlet.



Price Page

Adams Rite - Exit Devices

Vendor Site

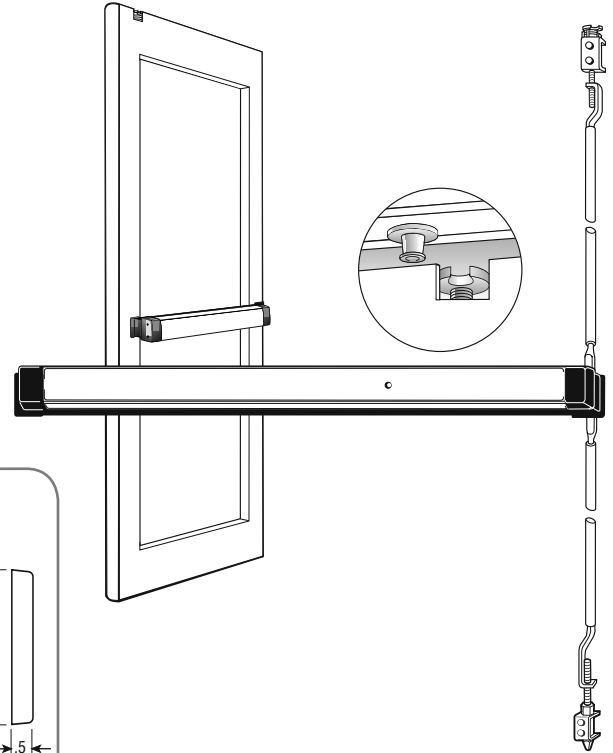
8600 - Series Narrow Stile Concealed Vertical Rod Device

Dimensions & Specifications:

- ANSI/BHMA E09321 Grade 1
- **Handing:** Device is non-handed
- **Bar Height:** Adjustable from 30" to 44"
- **Projection:** 2-5/8" when fully projected
1-5/8" when dogged
- **Stile Width:** 2" minimum
- **Door Height:** Adjustable for doors up to 66" above selected bar height

Stocked Product

- **Sizes:** for 36" width door
- **Finishes:** Aluminum and Duro



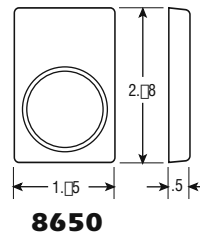
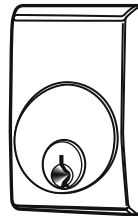
Accessories Escutcheon

Required to mount any make standard Mortise cylinder, with MS cam, on outside of door.

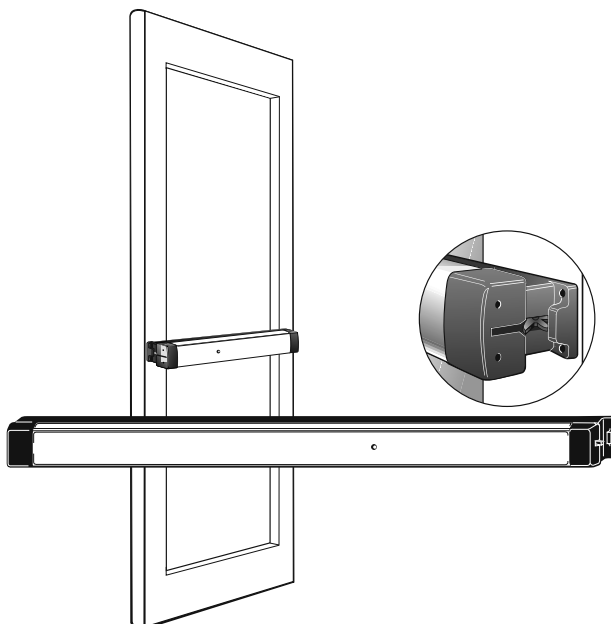
- **Less Mortise Cylinder**

Stocked Product

- **Finish:** Aluminum



8800 - Series Rim Exit Device For Aluminum Doors



Dimensions & Specifications:

- ANSI/BHMA E09321 Grade 1
- **Handing:** Device is non-handed
- **Door Thickness:** Suits 1-3/4" up to 2-1/4"
- **Stile Width:** 8800 - 2" for aluminum style

Features:

- Patented "standard" bolt interlocks door to frame.
- Push bar is anodized or clad not plated.
- Unobtrusive design for clean sight lines.

Stocked Product

- **Sizes:** for 36" width door
- **Finishes:** Aluminum and Duro



Adams Rite - *Exit Device Options & Accessories*

Price Page

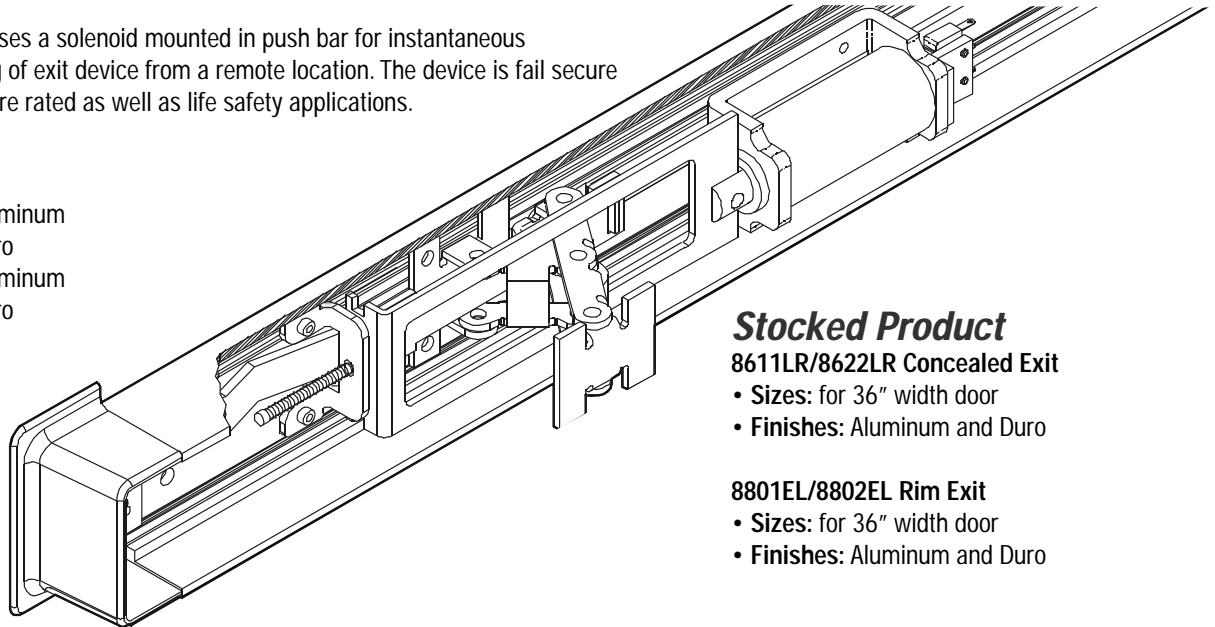
Vendor Site

Electric Latch Retraction *For all Adams Rite Exit Device*

The EL or LR option uses a solenoid mounted in push bar for instantaneous unlocking and locking of exit device from a remote location. The device is fail secure and can be used on fire rated as well as life safety applications.

Note

- 8611LR..... for Aluminum
- 8622LR..... for Duro
- 8801EL..... for Aluminum
- 8802EL..... for Duro



Stocked Product

8611LR/8622LR Concealed Exit

- Sizes: for 36" width door
- Finishes: Aluminum and Duro

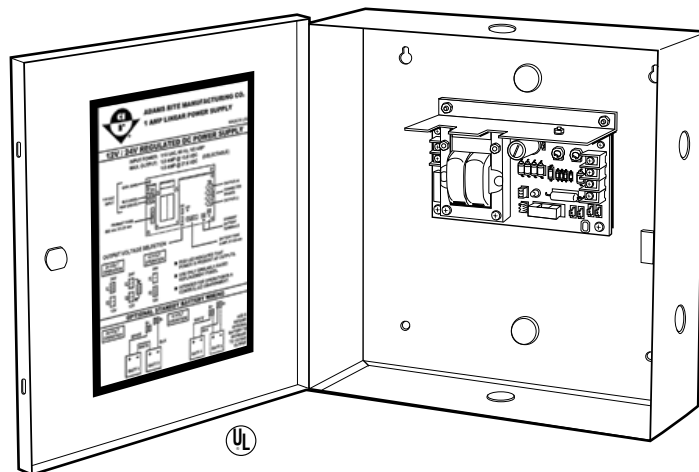
8801EL/8802EL Rim Exit

- Sizes: for 36" width door
- Finishes: Aluminum and Duro

Note: Power Supply available - F/8600 series, P/N PSLR

PSLR Power Supply

This Adams Rite Power Supply is required for the Electric Latch Retraction option on the Vertical Rod and Mortise types of exit devices. It operates at 28 VDC to power up to two LR exit devices in sequential or independent modes. The PS-LR is also equipped with a fire alarm disconnect interface circuitry.





Price Page

Adams Rite – Store Front Hardware Accessories

Vendor Site

MS4043 Series Cylinder Guard

Security Ring

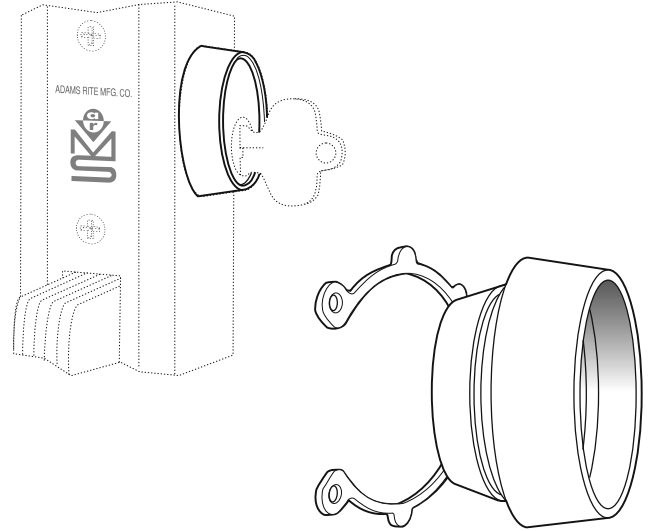
Made of hardened steel. Free-swiveling when properly installed.

Retainer Ring

Hardened steel, plated for corrosion resistance. Permits security ring to swivel.

Stocked Product

- **Finishes:** Aluminum and Dark Bronze





ABS-AMERICAN BUILDING SUPPLY, INC.