



Price Page

Babcock Davis

Vendor Site

### ITK Series Access Panel / Fire Rated

#### Features:

- Fire rated walls and ceilings
- Wall rating U.L. 1-1/2 hour B door
- Ceiling rating Warnock Hersey 3 hour
- Continuous hinge
- Insulation 2" thick and fire retardant
- Frame 16 gauge cold rolled steel
- Door 20 gauge cold rolled steel
- Flange 1" wide
- Flush key / knurled knob
- Gray prime finish with baked on rust inhibitor
- Rough opening 1/4" over

#### Options:

1551 hardware pack includes screws, Key and Knob

#### Stocked Product

##### Sizes:

08 x 08, 12 x 12, 14 x 14, 16 x 16, 18 x 18, 22 x 30, 24 x 24, 24 x 30, 24 x 36

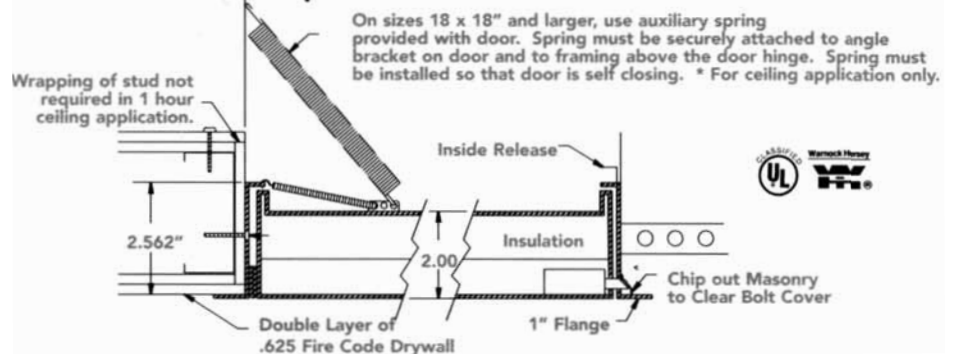


#### K - Knurled knob/key operated latch bolt

Patented ball bearing latch bolt operated by a screw-in type knurled knob or flush key. This is the standard latching mechanism on our fire rated models.



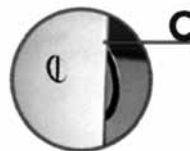
#### IT: Fire Rated All Purpose



### NTC Series Access Panel / Non Fire Rated

#### Features:

- All purpose flush access panel for walls and ceilings
- Concealed spring pin hinge on sizes up to 24" x 36"
- Frame 16 gauge cold rolled steel
- Door 14 gauge cold rolled steel
- Flange 1" wide exposed
- Screwdriver cam latch
- Gray prime finish with baked on rust inhibitor
- Rough opening 1/4" over

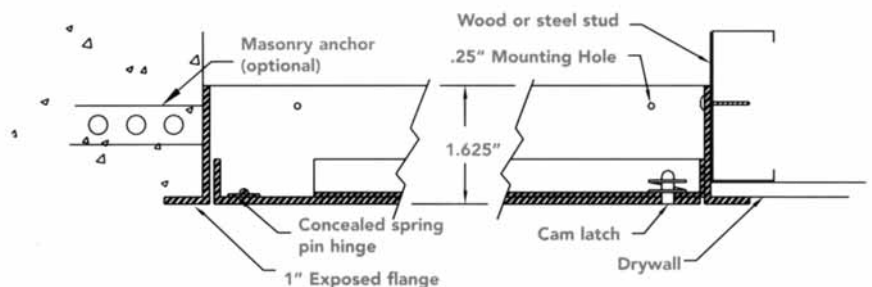


#### C - Screwdriver operated cam latch

Most commonly used for standard applications.



#### NT: Non-rated flush panel with 1" flange for installation in any application.



#### Stocked Product

##### Sizes:

08 x 08, 12 x 12, 14 x 14, 16 x 16, 18 x 18, 24 x 24, 24 x 30, 24 x 36



**ABS-AMERICAN BUILDING SUPPLY, INC.**