



Price Page

DCI

Vendor Site

## Automatic Flush Bolts



### *No. 842* - Set of 840 Bolts conforms to ANSI/BHMA 153.3, Type 25 For Metal Door Application

**Top Strike:** ANSI A115.4

**Fully Automatic:** Opening active door automatically retracts top and bottom bolts. Closing active door automatically extends both top and bottom bolts 3/4" into frame and sill strikes, locking inactive door. (Dust proof strike optional.)

**Non-Handed:** No. 842 Automatic Flush Bolts are non-handed. It is not necessary to reverse either top or bottom bolt.

**Adjustable Bolt Head Rods:** Bolts can be vertically adjusted 1-1/2" for unusual floor or frame conditions.

**Low Closing Force:** Patented free floating cams require a maximum of 5 lbs. closing force on active door to extend both top and bottom bolts.

**Override Feature:** Prevents damage to doors or bolts should bolt heads be prevented from entering top or bottom strike.

**Stocked Product**

**Finishes:** 10B, 26, 26D



### *No. 942* - Set of 940 Bolts conforms to ANSI/BHMA 156.3, Type 25 For Wood Door Application

**Fully Automatic:** Opening active door automatically retracts top and bottom bolts. Closing active door automatically extends both top and bottom bolts 3/4" into frame and sill strikes, locking inactive door. (Dust proof strike optional.)

**Non-Handed:** Automatic Flush Bolts are non-handed. It is not necessary to reverse either top or bottom bolt.

**Adjustable Bolt Head Rods:** Bolts can be vertically adjusted 1-1/2" for unusual floor or frame conditions.

**Low Closing Force:** Patented free floating cams require a maximum of 5 lbs. closing force on active door to extend both top and bottom bolts.

**Override Feature:** Prevents damage to doors or bolts should bolt heads be prevented from entering top or bottom strike.

**Stocked Product**

**Finishes:** US3, 10B, 26, 26D

## 1008F - Surface Bolt



*1008F* 8" UL listed manual surface bolt is designed for labeled fire doors and heavy steel construction with a throw of 1-3/16".

Bolt is available with L and mortise strike.

Conforms to ANSI/BHMA 156.16. L8416

**Stocked Product**

**Finish:** 26D



Price Page

DCI

Vendor Site

## Coordinator



### SERIES 500 - Gravity Coordinator

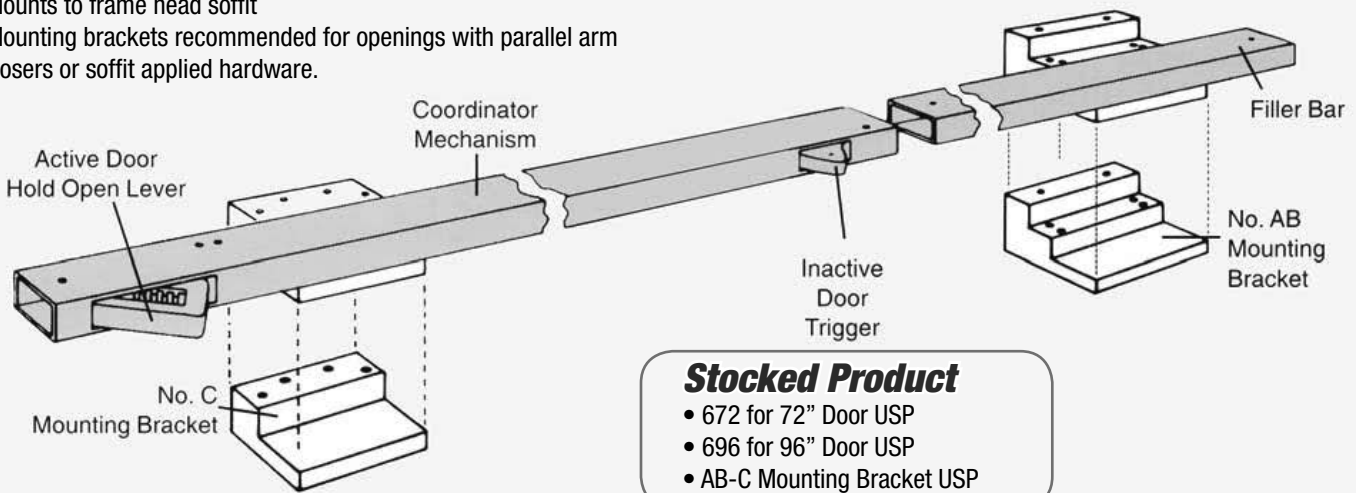
No. 500 Series Coordinators are nonhanded. UL listed devices used to coordinate the closing of pairs of doors in jamb openings 36" to 104" wide. Coordinator mechanism and inactive door brackets are cast of solid brass or bronze. The roller strike for top of inactive door is wrought stainless steel, brass, or bronze. The overall projection of the coordinator arm is 7". The rubber roller at the end of the coordinator arm cushions the contact of the active door when it is closing. The reversible nylon roller which lifts the coordinator arm insures smooth and long lasting operation. A curved lip roller strike is supplied with all devices.

**Stocked Product**

Finishes: 10B, 26D

### No. 600 - Bar Type Coordinator and Available Brackets

- Mounts to frame head soffit
- Mounting brackets recommended for openings with parallel arm closers or soffit applied hardware.



**Stocked Product**

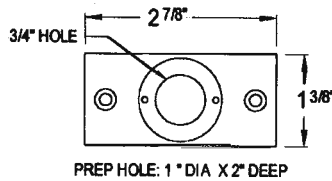
- 672 for 72" Door USP
- 696 for 96" Door USP
- AB-C Mounting Bracket USP

### No. 82 - Dust Proof Strike

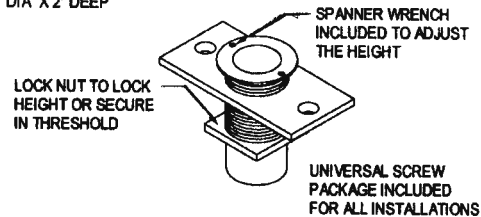
Fasteners:

- Universal screw package included for all installation

Conforms to ANSI/BHMA 156.16, L14021



PREP HOLE: 1" DIA X 2" DEEP



**Stocked Product**

Finishes: 10B, 26, 26D



Price Page

**DCI**

Vendor Site

## Manual Flush Bolts



*No. 780F*  
**For Metal or Wood Doors**  
**Manual Flush Bolts**  
**UL listed for metals doors only**

Solid Brass or Bronze Material  
Top strike Std. ANSI A115.4  
Top Frame Operation  
All rods have 1/2" adjustment for door and strike clearance.  
Conforms to ANSI/BHMA 156.16, BHMA L14251



*No. 790F*  
**For Wood Doors**  
**Manual Flush Bolts**

Solid Brass or Bronze Material  
Top strike Std. ANSI A115.4  
Conforms to ANSI/BHMA 156.16, BHMA L14261

**Stocked Product**

**Finishes:**

- 780F US3, 10B, 26, 26D
- 790F US3, 10B, 26, 26D
- Extension Rods Only 12", 36"



**ABS-AMERICAN BUILDING SUPPLY, INC.**