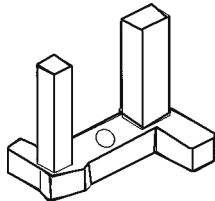




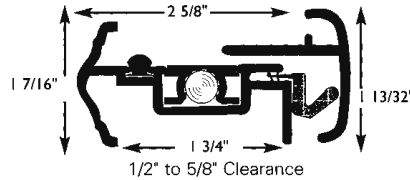
Price Page

# Residential-Astragals

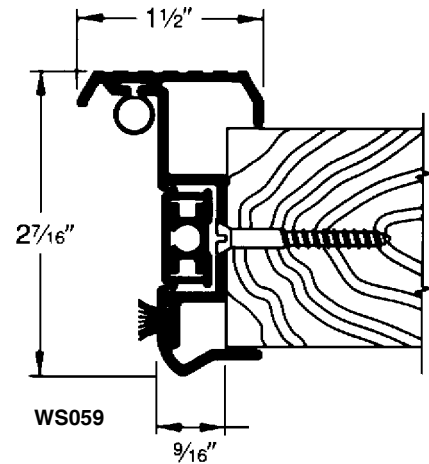
*HD 056*  
Black



*3480S*  
Double Door Astragal Outswing



*WS059*



*HD 093*  
Corner Fin Seal Pad  
with adhesive backing



### SMOKE/AIR

Meet requirements of:  
ASTM E-283  
SDI 116

Products indicated by this symbol have been Air Infiltration Tested for smoke and draft control at 1.57PSF.



### FIRE LABELED

Standards:  
ASTM E-152 NFPA-252  
UBC-432 UL-10(B)

Products indicated by this symbol unless noted otherwise are Listed and Labeled as Gasketing for use on Steel or Wood Frames with Wood or Steel Doors for 20 minute; 45 minutes, C-label; 1 hour, B-label; and 1-1/2 hour, B-label conditions. Consult Pemko Fire Labeled brochure for each product's specific label. Products in this catalog meet B label conditions unless noted otherwise.

## Stocked Product

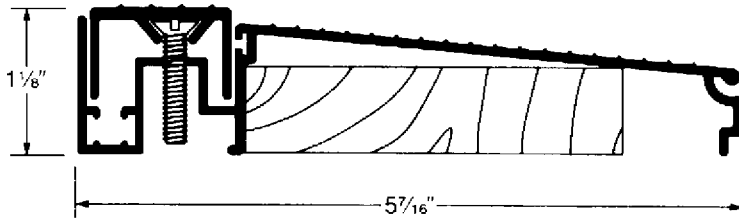
Part #	Description	Finish
10304	T Astragal with Flush Bolt 6' 8"	Aluminum
10305	T Astragal with Flush Bolt 6' 8"	Bronze
10283	T Astragal with Flush Bolt 6' 8"	White
10303	T Astragal with Flush Bolt 6' 8"	Bright Gold
10313	T Astragal with Flush Bolt 8'	Bronze
10311	T Astragal with Flush Bolt 8'	White
10312	T Astragal with Flush Bolt 8'	Aluminum
10316	T Astragal with Flush Bolt 8'	Bright Gold
06558	T Astragal Shoe Left	
06560	T Astragal Shoe Right	
10272	Corner Seal pad White	
10287	Astragal 3480S 6' 8"	Aluminum
10288	Astragal 3480S 8'	Aluminum
10290	Astragal 3480S 6' 8"	Bronze
10291	Astragal 3480S 8'	Bronze



Price Page

# Residential-Sills

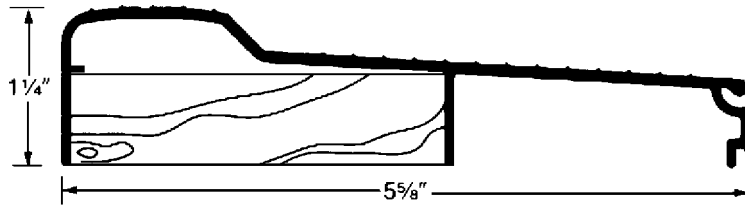
## ADJUSTABLE SILL



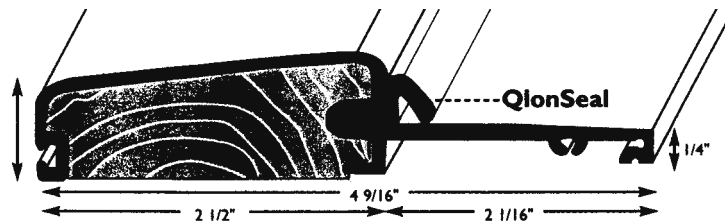
## SILL EXTENDER



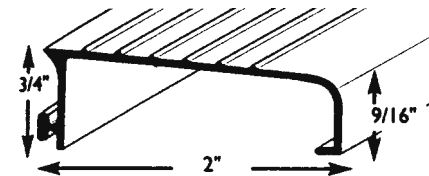
## FIXED SILL



## OUTSWING SILL



## O/S SILL EXTENDER



### Stocked Product

Description	Finish	Sizes
1-1/8" X 5-5/8" Adjustable Sill	Aluminum	2/6,2/8,3/0,6/0
1-1/8" X 5-5/8" Adjustable Sill	Bronze	2/6,2/8,3/0,6/0
1" X 4-9/16" Out Swing Sill	Aluminum	2/6,2/8,3/0,6/0,12/4
1" X 4-9/16" Out Swing Sill	Bronze	2/6,2/8,3/0,6/0,12/4
3/4" X 2" O/S Sill Extender	Aluminum	2/8,3/0,6/0,12/4
3/4" X 2" O/S Sill Extender	Bronze	2/8,3/0,6/0,12/4
1-1/4" X 5-5/8" Fixed Sill	Aluminum	2/6,2/8,3/0,6/0,12/4
1-1/4" X 5-5/8" Fixed Sill	Bronze	2/6,2/8,3/0,6/0,12/4
1-1/4" X 5-5/8" Fixed Sill	Bright Gold	3/0,6/0,12/4
1-1/4" X 5-5/8" Fixed Sill	White	3/0,6/0,12/4
2-1/8" Sill Extender	Aluminum	2/6,2/8,3/0,6/0
2-1/8" Sill Extender	Bronze	2/6,2/8,3/0,6/0

**Note; Shrink Wrapping Available  
UPC Label Upon Request  
for Stocking Dealer**



Price Page

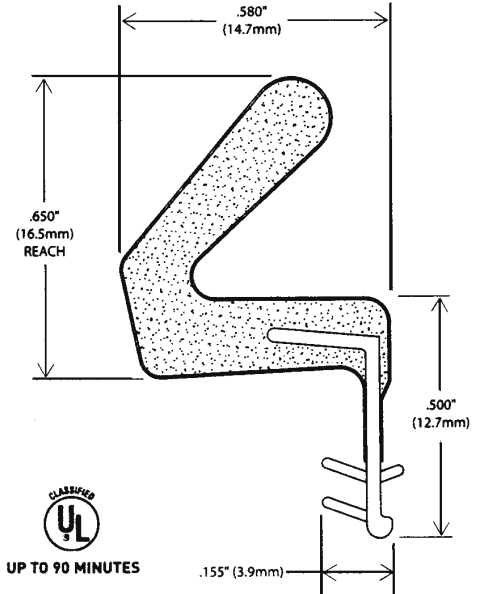
# Residential-Weatherseals

## For Metal or Wood Entry Doors and French-type Patio Doors

### Model *QEBD 650*

Schlegel Q-LON weatherseal mounts easily and outperforms other kerf-fitted doorseals

- Highly engineered embossed polyethylene liner resists paint and varnish, lasts longer and maintains an attractive appearance.
- UV stabilized to withstand sunlight with no visible degradation
- Open-celled urethane foam core maintains shape and resiliency over time, offers excellent all-temperature sealing performance, prevents corner leaks and allows seal to conform to uneven surfaces.
- Tri-fin insert allows for easy installation and maximum retention. Can be easily removed and reinserted without damaging jamb or seal.
- **Schlegel Q-LON - the most recognized, most asked for name in kerf-fitted weatherseals.**



### Stocked Product

Part #	Description	Finish
10314	Weather Strip 3/0	Bronze
10310	Weather Strip 6/8"	Bronze
10317	Weather Strip 8/0	Bronze
10318	Weather Strip 3/0	White
10325	Weather Strip 6/8	White
10320	Weather Strip 8/0	White

### Box Quantities Only

6/8 Uprights sold as 75 pair (150 pieces) per box  
 8/0 Uprights sold as 60 pair (120 pieces) per box  
 Heads sold as 300 each to a box

## Kwickset

### 334 Passage, 335 Privacy - Pocket Door Locks



PRIVACY FUNCTION  
Model #93-335



PASSAGE FUNCTION  
Model #93-340

### Specifications:

Bore	2-1/8" face, 1" edge
Backset	2-3/8"
Door Thickness	1-3/8" - 1-3/4"
Warranty	Lifetime mechanical, 10 year finish
Latchbolt	1" x 2-1/4" round corner
Strike	1-1/8" x 2-1/4" square corner with strike box, brass
Aluminum	1-1/8" X 5-5/8" Adjustable Sill
Bronze	1-1/8" X 5-5/8" Adjustable Sill

### Stocked Product

334	US3,10B,15,15A,3X26
335	US3,10B,15,15A,3X26

### Features:

- Installs with standard lockset boring - no notching
- Deep cups for easy access
- Keeps door warranty
- Large privacy turn piece



**ABS-AMERICAN BUILDING SUPPLY, INC.**